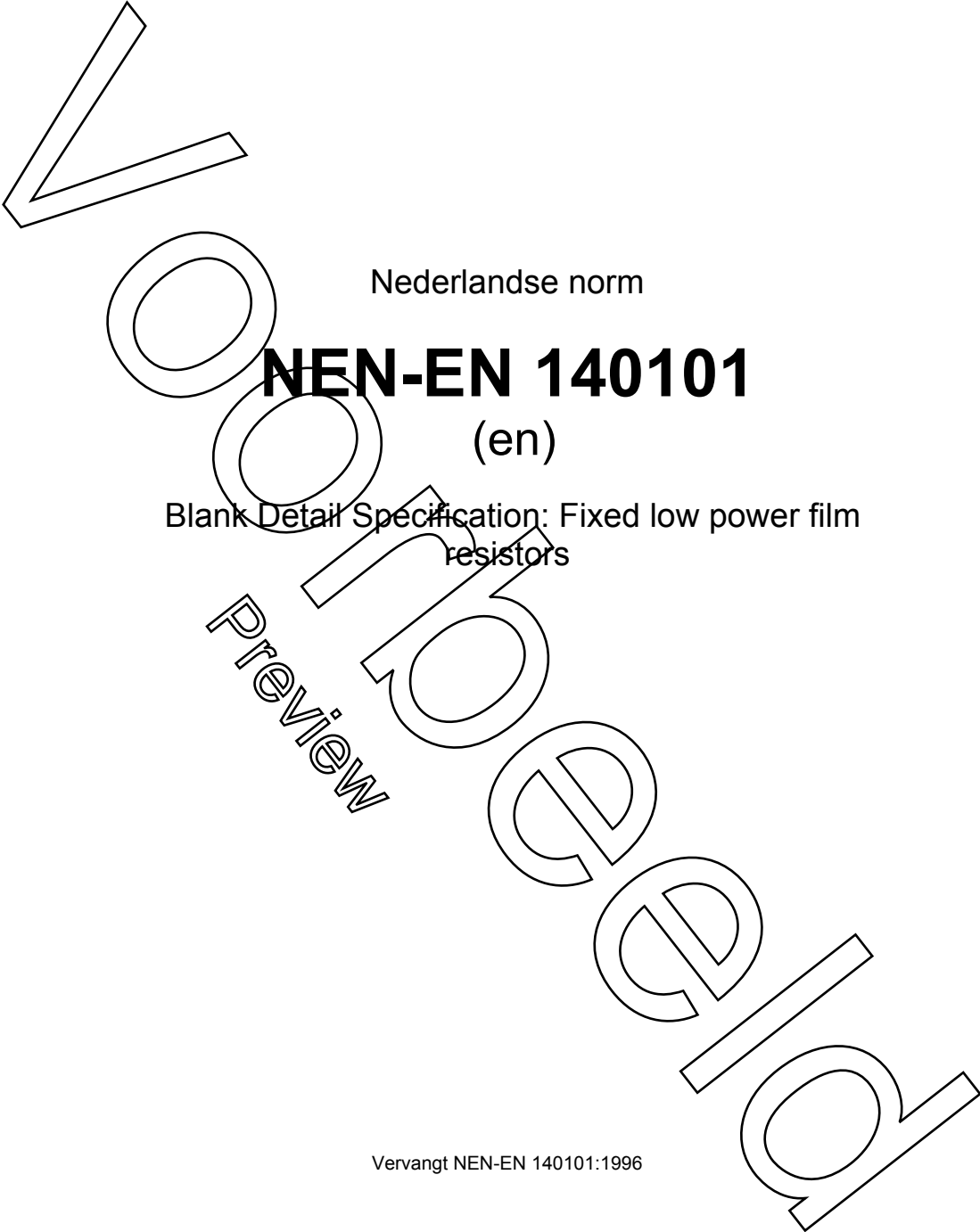


Dit document mag slechts op een stand-alone PC worden geïnstalleerd. Gebruik op een netwerk is alleen toestaan als een aanvullende licentieovereenkomst voor netwerkgebruik met NEN is afgesloten.
This document may only be used on a stand-alone PC. Use in a network is only permitted when a supplementary license agreement for us in a network with NEN has been concluded.



Nederlandse norm

NEN-EN 140101

(en)

Blank Detail Specification: Fixed low power film resistors

Vervangt NEN-EN 140101:1996

ICS 31.040.10
mei 2008

Als Nederlandse norm is aanvaard:
 - EN 140101:2008, IDT

Voorbeeld
 Preview

Nederlands Elektrotechnisch Comité (NEC)
 Normcommissie 361 040 "Weerstand en condensatoren (NEC 40)"

Apart from exceptions provided by the law, nothing from this publication may be duplicated and/or published by means of photocopy, microfilm, storage in computer files or otherwise, which also applies to full or partial processing, without the written consent of the Netherlands Standardization Institute.

The Netherlands Standardization Institute shall, with the exclusion of any other beneficiary, collect payments owed by third parties for duplication and/or act in and out of law, where this authority is not transferred or falls by right to the Reproduction Rights Foundation.

Auteursrecht voorbehouden. Behoudens uitzondering door de wet gesteld mag zonder schriftelijke toestemming van het Nederlands Normalisatie-instituut niets uit deze uitgave worden verveelvoudigd en/of openbaar gemaakt door middel van fotokopie, microfilm, opslag in computerbestanden of anderszins, hetgeen ook van toepassing is op gehele of gedeeltelijke bewerking.

Het Nederlands Normalisatie-instituut is met uitsluiting van ieder ander gerechtigd de door derden verschuldigde vergoedingen voor verveelvoudiging te innen en/of daartoe in en buiten rechte op te treden, voor zover deze bevoegdheid niet is overgedragen c.q. rechtens toekomt aan de Stichting Reprorecht.

Although the utmost care has been taken with this publication, errors and omissions cannot be entirely excluded. The Netherlands Standardization Institute and/or the members of the committees therefore accept no liability, not even for direct or indirect damage, occurring due to or in relation with the application of publications issued by the Netherlands Standardization Institute.

Hoewel bij deze uitgave de uiterste zorg is nagestreefd, kunnen fouten en onvolledigheden niet geheel worden uitgesloten. Het Nederlands Normalisatie-instituut en/of de leden van de commissies aanvaarden derhalve geen enkele aansprakelijkheid, ook niet voor directe of indirecte schade, ontstaan door of verband houdend met toepassing van door het Nederlands Normalisatie-instituut gepubliceerde uitgaven.

EUROPEAN STANDARD
NORME EUROPÉENNE
EUROPÄISCHE NORM

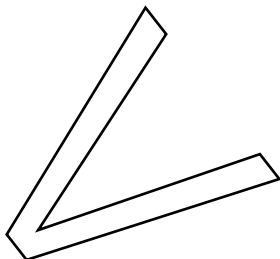
EN 140101

March 2008

ICS 31.040.10

Supersedes EN 140101:1996

English version



**Blank Detail Specification:
Fixed low power film resistors**

Spécification particulière:
Résistances fixes à couche
et à faible dissipation

Vordruck für die Bauartspezifikation:
Schicht-Festwiderstände
niedriger Belastbarkeit

This European Standard was approved by CENELEC on 2007-11-01. CENELEC members are bound to comply with the CEN/CENELEC Internal Regulations which stipulate the conditions for giving this European Standard the status of a national standard without any alteration.

Up-to-date lists and bibliographical references concerning such national standards may be obtained on application to the Central Secretariat or to any CENELEC member.

This European Standard exists in three official versions (English, French, German). A version in any other language made by translation under the responsibility of a CENELEC member into its own language and notified to the Central Secretariat has the same status as the official versions.

CENELEC members are the national electrotechnical committees of Austria, Belgium, Bulgaria, Cyprus, the Czech Republic, Denmark, Estonia, Finland, France, Germany, Greece, Hungary, Iceland, Ireland, Italy, Latvia, Lithuania, Luxembourg, Malta, the Netherlands, Norway, Poland, Portugal, Romania, Slovakia, Slovenia, Spain, Sweden, Switzerland and the United Kingdom.

CENELEC

European Committee for Electrotechnical Standardization
Comité Européen de Normalisation Electrotechnique
Europäisches Komitee für Elektrotechnische Normung

Central Secretariat: rue de Stassart 35, B - 1050 Brussels

Foreword

This European Standard was prepared by the Technical Committee CENELEC TC 40XB, Resistors.

The text of the draft was submitted to the formal vote and was approved by CENELEC as EN 140101 on 2007-11-01.

This European Standard supersedes EN 140101:1996.

The following dates were fixed:

- latest date by which the EN has to be implemented at national level by publication of an identical national standard or by endorsement (dop) 2008-11-01
- latest date by which the national standards conflicting with the EN have to be withdrawn (dow) 2010-11-01

Preceding documents on the subject covered by this specification have been:

- CECC 40 101:1981.

Compared to the superseded standard, the following changes have been implemented:

- modification of the title;
- introduction of a test on the resistance to electrostatic discharge (ESD) in 1.6 and in Annex A;
- introduction of description and test methods for lead-free soldering in 1.9.3 and in Annex A;
- introduction of code letters for the temperature coefficient (TCR) as in EN 60062;
- revision of ordering information in 1.8.4;
- adoption of the IECQ rules of procedure, IEC QC 001002-3;
- revision of the sample quantities and the sequence of tests in Annex A;
- editorial revision.

This specification supports the building of a series of documents describing fixed low power film resistors as follows:

- EN 60115-1 Fixed resistors for use in electronic equipment – Part 1. Generic specification (IEC 60115-1, mod.)
- EN 140100 Sectional specification: Fixed low power film resistors
- EN 140101-xxx Relevant detail specification(s) written on the basis of this Blank Detail Specification.

Contents

Introduction	4
1 Characteristics and ratings	5
1.1 Dimensions and ratings.....	5
1.2 Derating curve.....	6
1.3 Resistance range and tolerance on rated resistance.....	7
1.4 Variation of resistance with temperature and temperature rise.....	8
1.5 Climatic categories.....	8
1.6 Limits for change of resistance at tests.....	9
1.7 Non-linear properties.....	9
1.8 Tests related to soldering.....	10
1.9 Marking, packaging and ordering designation.....	11
1.10 Additional information (not for inspection purpose).....	12
2 Quality assessment procedures	13
2.1 General.....	13
2.2 Qualification Approval.....	14
2.3 Quality Conformance Inspection.....	14
Annex A (normative) Fixed sample size Qualification Approval and Quality Conformance Inspection test schedule for fixed low power film resistors	16
Annex B (informative) Letter symbols and abbreviations	24
Bibliography	26
Figure 1 – Outline and dimensions (see Table 1).....	5
Figure 2 – Derating curve.....	6
Figure 3 – Limits of non-linearity in resistance.....	10
Table 1 – Style and dimensions.....	5
Table 2a – Ratings.....	6
Table 2b – Ratings for 0 Ω resistors.....	6
Table 3a – Resistance range and tolerance on rated resistance for Version A.....	7
Table 3b – Resistance range and tolerance on rated resistance for Version E.....	7
Table 4 – Temperature coefficients and percentage change of resistance.....	8
Table 5 – Limit of temperature rise.....	8
Table 6 – Climatic categories.....	8
Table 7a – Limits for change of resistance at tests.....	9
Table 7b – Limits for change of resistance at tests.....	9
Table A.1 – Test schedule for Qualification Approval and Quality Conformance Inspection, lot-by-lot tests, assessment level EZ.....	16
Table A.2 – Test schedule for Qualification Approval and Quality Conformance Inspection, periodic tests, assessment level EZ.....	19

Introduction

Blank Detail Specification

A Blank Detail Specification is a supplementary document to the sectional specification and contains requirements for style and layout and minimum content of detail specifications. Detail specifications not complying with these requirements shall not be considered as being in accordance with European standards nor shall they be so described.

In the preparation of the detail specification the content of EN 140100:2008, 1.2 shall be taken into account.

The detail specification should be written by using the preferred values given in EN 140100.

The detail specification should contain a table of contents prior the first page of the actual specification. For the use of SI units refer to ISO 1000, for the use of letter symbols to be used in electrical technology refer to EN 60027-1.

Notes in this document shall be considered as guidance and are not part of the detail specification itself.


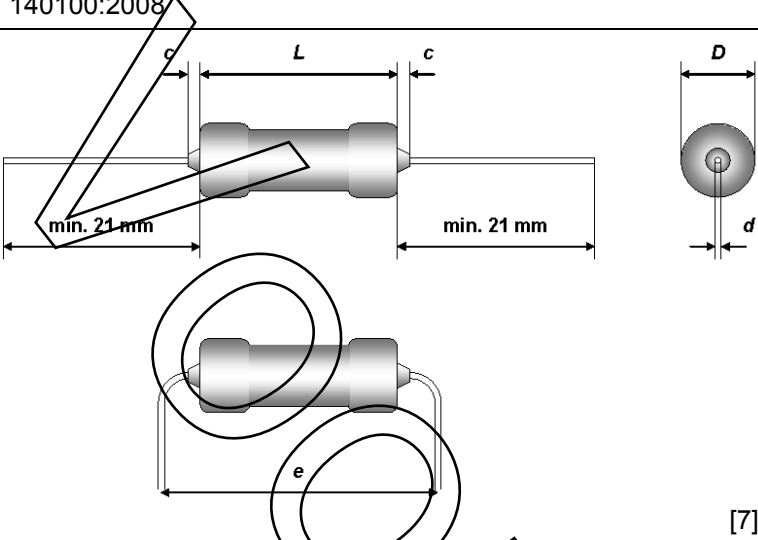
Identification of the detail specification and the component

The first page of the detail specification should have the layout recommended on page 5.

The numbers in square brackets correspond to the indications to be completed thereunder:

- [1] the name of the National Standards Organisation under whose authority the detail specification is published, and if applicable, the organisation from whom the detail specification is available;
- [2] the CECC symbol and the number allocated to the detail specification by the CENELEC General Secretariat;
- [3] the number and issue number of the EN generic and sectional specification as relevant; also national reference if different;
- [4] the national number of the detail specification, date of issue and any further information required by the national system, together with any amendment numbers, if different from the EN number;
- [5] a brief description of the component or range of components;
- [6] information on typical construction (where applicable);
- [7] an outline drawing with the main dimensions which are of importance for interchangeability and/or reference to the appropriate national or international document for outlines. Alternatively, this drawing may be given in an annex to the detail specification;
- [8] the level of quality assessment covered by the detail specification.

For [5] and [6] the text to be given in the detail specification should be suitable for an entry in a register of approvals and the "CENELEC Catalogue of European Standards".

Specification available from: [1] CENELEC Central Secretariat, Rue de Stassart 35 B-1050 Brussels, or from the addresses shown on the inside cover	EN 140101 [2] 
Electronic components of assessed quality in accordance with: [3] EN 60115-1:2001 + A1:2001 EN 140100:2008	Issue 2 [4] March 2008
 <p>Other shapes are permitted within the given dimensions.</p> <p>Figure 1 – Outline and dimensions (see Table 1)</p>	Fixed low power film resistors [5] (Description of the component) [6] Assessment level EZ ^a [8] Version A: with 100 %-test Version E: with failure rate level and 100 %-test Stability classes ...
^a For explanation on assessment level EZ see 2.1.1. NOTE Version E is optional.	

1 Characteristics and ratings

Various parameters of this component are precisely defined in this specification. Unspecified parameters may vary from one component to another.

1.1 Dimensions and ratings

Table 1 – Style and dimensions

Style	Code	Length <i>L</i> mm		Diameter <i>D</i> mm		<i>d</i> ^a mm	<i>e</i> ^b mm	<i>c</i> ^c mm	Mass ^d mg
		min.	max.	min.	max.				
	x								

^a Permissible tolerance according to HD 349.

^b Standard distance for the axis to bent leads. Smaller modules may be agreed between manufacturer and customer.

^c Length of excess protective coating.

^d For information only.

^x Optional column for additional information (e.g. size code).

NOTE See EN 140100:2008, 1.2 b).

Information about manufacturers who have components qualified to this detail specification is available in the approvals section of the website <http://www.iecq.org>.

Table 2a – Ratings

Style	x	Rated dissipation P_{70} mW	Limiting element voltage d.c. or a.c. (r.m.s.) U_{max} V	Insulation voltage d.c. or a.c. (peak) U_{ins} V	
				1 min	continuous
x Optional column for additional information (e.g. stability class, rated dissipation at other ambient temperature than 70 °C) NOTE 1 See EN 140100:2008, 1.2 h), i), j). NOTE 2 Should it be necessary to control further parameters, a more detailed specification should be used. Then the additional test method(s) shall be fully described and appropriate limits and inspection levels (IL) shall be specified.					

Table 2b – Ratings for 0 Ω resistors

Style	Maximum current I_{max} A	Maximum resistance $R_{r max}$ mΩ	Insulation voltage d.c. or a.c. (peak) U_{ins} V	
			1 min	continuous
NOTE Table 2b is optional.				

1.2 Derating curve

Resistors covered by this specification are derated according to the following diagram:

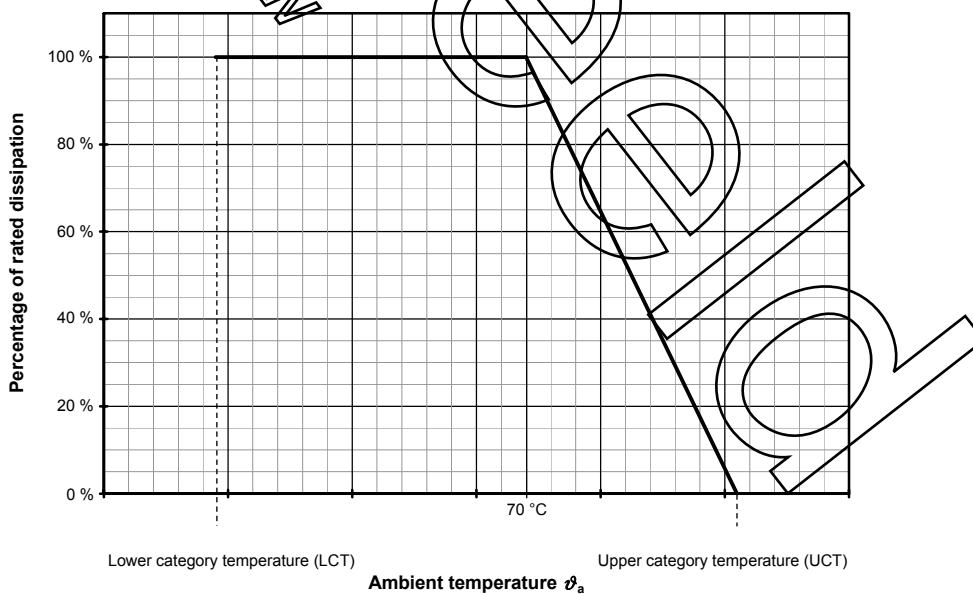


Figure 2 – Derating curve

NOTE 1 See EN 140100:2008, 1.2 h).

NOTE 2 A larger area of operation may be given in the detail specification, provided it includes all the area given above.

1.3 Resistance range and tolerance on rated resistance

1.3.1 Version A

The following combinations of temperature coefficient and tolerance on rated resistance may be approved only. Products from this extent shall be used for the Qualification approval according to 2.2.1 and for the Quality conformance inspection according to 2.3. Resistance values of an E-series according to IEC 60063 shall be used.

The qualification of resistance values below or beyond the specified resistance values is permitted, if they fulfil the requirements of the closest stability class (e.g. Style ... shall fulfil the requirements of stability class ...).

Table 3a – Resistance range and tolerance on rated resistance for Version A

Style	Tolerance on rated resistance		Temperature coefficient 10 ⁻⁶ /K	Resistance range	Stability class ^b
	%	Code ^a			
0 Ω resistors according to Table 2b for styles ...					
^a Code letters according to EN 60062.					
^b For the category temperatures of stability classes refer to Table 6.					

1.3.2 Version E

The following combinations of temperature coefficient, tolerance on rated resistance, resistance range and E-series according to IEC 60063 are permitted only. Products from this extent shall be used for the Qualification approval according to 2.2.2 and for the Quality conformance inspection according to 2.3 and are permitted only:

Table 3b – Resistance range and tolerance on rated resistance for Version E

Style	Tolerance on rated resistance		Temperature coefficient 10 ⁻⁶ /K	Resistance range	Stability class ^b	E series
	%	Code ^a				
0 Ω resistors according to Table 2b for styles ...						
^a Code letters according to EN 60062.						
^b For the category temperatures of stability classes refer to Table 6.						
NOTE Table 3b is only required for Version E and should be a subset of Table 3a.						

Bestelformulier

Stuur naar:

NEN Standards Products & Services
t.a.v. afdeling Klantenservice
Antwoordnummer 10214
2600 WB Delft



NEN Standards Products & Services

Postbus 5059
2600 GB Delft

Vlinderweg 6
2623 AX Delft

T (015) 2 690 390
F (015) 2 690 271

www.nen.nl/normshop

Ja, ik bestel

__ ex. NEN-EN 140101:2008 en Blank Detail Specification: Fixed low power film resistors € 62.22

Wilt u deze norm in PDF-formaat? Deze bestelt u eenvoudig via www.nen.nl/normshop

Gratis e-mailnieuwsbrieven

Wilt u op de hoogte blijven van de laatste ontwikkelingen op het gebied van normen, normalisatie en regelgeving? Neem dan een gratis abonnement op een van onze e-mailnieuwsbrieven. www.nen.nl/nieuwsbrieven

Gegevens

Bedrijf / Instelling _____

T.a.v. _____ O M O V

E-mail _____

Klantnummer NEN _____

Uw ordernummer _____ BTW nummer _____

Postbus / Adres _____

Postcode _____ Plaats _____

Telefoon _____ Fax _____

Factuuradres (indien dit afwijkt van bovenstaand adres)

Postbus / Adres _____

Postcode _____ Plaats _____

Datum _____ Handtekening _____

Retourneren

Fax: 015 2 690 271

E-mail: klantenservice@nen.nl

Post: NEN Standards Products & Services,

t.a.v. afdeling Klantenservice
Antwoordnummer 10214,
2600 WB Delft

(geen postzegel nodig).

Voorwaarden

- De prijzen zijn geldig tot 31 december 2018, tenzij anders aangegeven.
- Alle prijzen zijn excl. btw, verzend- en handelingskosten en onder voorbehoud bij o.m. ISO- en IEC-normen.
- Bestelt u via de normshop een pdf, dan betaalt u geen handeling en verzendkosten.
- Meer informatie: telefoon 015 2 690 391, dagelijks van 8.30 tot 17.00 uur.
- Wijzigingen en typfouten in teksten en prijsinformatie voorbehouden.
- U kunt onze algemene voorwaarden terugvinden op: www.nen.nl/leveringsvoorwaarden.