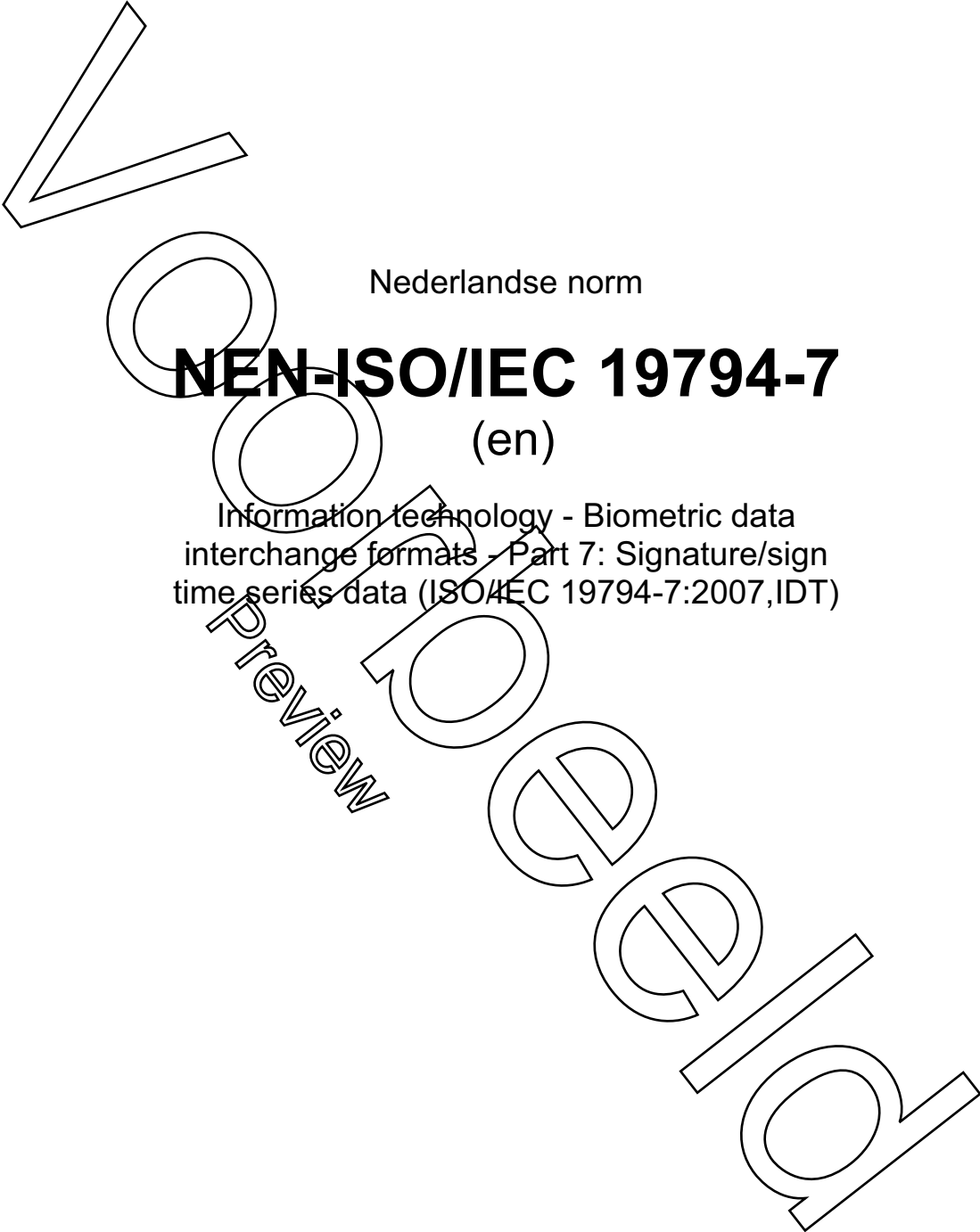


Dit document mag slechts op een stand-alone PC worden geïnstalleerd. Gebruik op een netwerk is alleen toestaan als een aanvullende licentieovereenkomst voor netwerkgebruik met NEN is afgesloten.
This document may only be used on a stand-alone PC. Use in a network is only permitted when a supplementary license agreement for us in a network with NEN has been concluded.



Nederlandse norm

NEN-ISO/IEC 19794-7

(en)

Information technology - Biometric data interchange formats - Part 7: Signature/sign time series data (ISO/IEC 19794-7:2007, IDT)

ICS 35.040
juni 2007

Als Nederlandse norm is aanvaard:

- ISO/IEC 19794-7:2007, IDT

VOORBEELD
Preview

Normcommissie 381 001 "JTC Algemeen"

Apart from exceptions provided by the law, nothing from this publication may be duplicated and/or published by means of photocopy, microfilm, storage in computer files or otherwise, which also applies to full or partial processing, without the written consent of the Netherlands Standardization Institute.

The Netherlands Standardization Institute shall, with the exclusion of any other beneficiary, collect payments owed by third parties for duplication and/or act in and out of law, where this authority is not transferred or falls by right to the Reproduction Rights Foundation.

Auteursrecht voorbehouden. Behoudens uitzondering door de wet gesteld mag zonder schriftelijke toestemming van het Nederlands Normalisatie-instituut niets uit deze uitgave worden verveelvoudigd en/of openbaar gemaakt door middel van fotokopie, microfilm, opslag in computerbestanden of anderszins, hetgeen ook van toepassing is op gehele of gedeeltelijke bewerking.

Het Nederlands Normalisatie-instituut is met uitsluiting van ieder ander gerechtigd de door derden verschuldigde vergoedingen voor verveelvoudiging te innen en/of daartoe in en buiten rechte op te treden, voor zover deze bevoegdheid niet is overgedragen c.q. rechtens toekomt aan de Stichting Reprorecht.

Although the utmost care has been taken with this publication, errors and omissions cannot be entirely excluded. The Netherlands Standardization Institute and/or the members of the committees therefore accept no liability, not even for direct or indirect damage, occurring due to or in relation with the application of publications issued by the Netherlands Standardization Institute.

Hoewel bij deze uitgave de uiterste zorg is nagestreefd, kunnen fouten en onvolledigheden niet geheel worden uitgesloten. Het Nederlands Normalisatie-instituut en/of de leden van de commissies aanvaarden derhalve geen enkele aansprakelijkheid, ook niet voor directe of indirecte schade, ontstaan door of verband houdend met toepassing van door het Nederlands Normalisatie-instituut gepubliceerde uitgaven.

Preview

Information technology — Biometric data
interchange formats —
Part 7:
Signature/sign time series data

*Technologies de l'information — Formats d'échange de données
biométriques —
Partie 7: Données de série chronologique de signature/sign*

PDF disclaimer

This PDF file may contain embedded typefaces. In accordance with Adobe's licensing policy, this file may be printed or viewed but shall not be edited unless the typefaces which are embedded are licensed to and installed on the computer performing the editing. In downloading this file, parties accept therein the responsibility of not infringing Adobe's licensing policy. The ISO Central Secretariat accepts no liability in this area.

Adobe is a trademark of Adobe Systems Incorporated.

Details of the software products used to create this PDF file can be found in the General Info relative to the file; the PDF-creation parameters were optimized for printing. Every care has been taken to ensure that the file is suitable for use by ISO member bodies. In the unlikely event that a problem relating to it is found, please inform the Central Secretariat at the address given below.

Copyright
Preview

**COPYRIGHT PROTECTED DOCUMENT**

© ISO/IEC 2007

All rights reserved. Unless otherwise specified, no part of this publication may be reproduced or utilized in any form or by any means, electronic or mechanical, including photocopying and microfilm, without permission in writing from either ISO at the address below or ISO's member body in the country of the requester.

ISO copyright office
Case postale 56 • CH-1211 Geneva 20
Tel. + 41 22 749 01 11
Fax + 41 22 749 09 47
E-mail copyright@iso.org
Web www.iso.org

Published in Switzerland

Contents

Page

Foreword.....	iv
1 Scope	1
2 Conformance.....	1
3 Normative references	1
4 Terms and definitions.....	2
5 Conventions.....	4
5.1 Coordinate system.....	4
5.2 Octet order.....	4
5.3 Registered format type identifiers	4
6 Channels.....	5
6.1 General.....	5
6.2 Pen position channels: X, Y, Z	5
6.3 Pen velocity channels: VX, VY	6
6.4 Pen acceleration channels: AX, AY	6
6.5 Time channel: T.....	6
6.6 Time difference channel: DT.....	6
6.7 Pen tip force channel: F.....	6
6.8 Tip switch state channel: S.....	6
6.9 Pen orientation channels: TX, TY, Az, El, R.....	6
7 Full format	7
7.1 Introduction	7
7.2 BDB organisation.....	7
7.3 BDB header	7
7.4 BDB body.....	11
8 Compact format	12
8.1 Introduction	12
8.2 Matching algorithm parameters template.....	13
8.3 Embedment in a CBEFF data structure.....	14
8.4 BDB body.....	15
Annex A (informative) Best practices — Data acquisition.....	16
Annex B (informative) ASN.1 specification of the data interchange formats.....	17
Annex C (informative) Signature/sign coding examples.....	21
Bibliography	23

ISO/IEC 19794-7:2007(E)

Foreword

ISO (the International Organization for Standardization) and IEC (the International Electrotechnical Commission) form the specialized system for worldwide standardization. National bodies that are members of ISO or IEC participate in the development of International Standards through technical committees established by the respective organization to deal with particular fields of technical activity. ISO and IEC technical committees collaborate in fields of mutual interest. Other international organizations, governmental and non-governmental, in liaison with ISO and IEC, also take part in the work. In the field of information technology, ISO and IEC have established a joint technical committee, ISO/IEC JTC 1.

International Standards are drafted in accordance with the rules given in the ISO/IEC Directives, Part 2.

The main task of the joint technical committee is to prepare International Standards. Draft International Standards adopted by the joint technical committee are circulated to national bodies for voting. Publication as an International Standard requires approval by at least 75 % of the national bodies casting a vote.

Attention is drawn to the possibility that some of the elements of this document may be the subject of patent rights. ISO and IEC shall not be held responsible for identifying any or all such patent rights.

ISO/IEC 19794-7 was prepared by Joint Technical Committee ISO/IEC JTC 1, *Information technology*, Subcommittee SC 37, *Biometrics*.

ISO/IEC 19794 consists of the following parts, under the general title *Information technology — Biometric data interchange formats*:

- Part 1: Framework
- Part 2: Finger minutiae data
- Part 3: Finger pattern spectral data
- Part 4: Finger image data
- Part 5: Face image data
- Part 6: Iris image data
- Part 7: Signature/sign time series data
- Part 8: Finger pattern skeletal data
- Part 9: Vascular image data
- Part 10: Hand geometry silhouette data

The following part is under preparation:

- Part 11: Signature/sign processed dynamic data

Information technology — Biometric data interchange formats

Part 7: Signature/sign time series data

1 Scope

For the purposes of biometric verification and/or identification, this part of ISO/IEC 19794 specifies a concept and data interchange formats for dynamic signature/sign behavioural data captured in the form of a time series using devices such as digitizing tablets or advanced pen systems. The data interchange formats are generic in that they may be applied and used in a wide range of application areas where handwritten signs or signatures are involved. No application-specific requirements or features are addressed in this part of ISO/IEC 19794. This part of ISO/IEC 19794 contains definitions of relevant terms, a description of what data is captured, two data formats for containing the data — one for general use and one compact format for use with smart cards and other tokens — alongside examples of data block contents and best practice in capture.

Specifying which of the format types and which options defined in this part of ISO/IEC 19794 are to be applied in a particular application is out of the scope of this part of ISO/IEC 19794; this needs to be defined in application-specific requirements specifications or application profiles. It is advisable that stored and transmitted biometric data be time-stamped and that cryptographic techniques be used to protect their authenticity, integrity and confidentiality, however such provisions are beyond the scope of this part of ISO/IEC 19794.

2 Conformance

A biometric data block conforms to this part of ISO/IEC 19794 if it satisfies the format requirements with respect to its structure, with respect to relations among its fields, and with respect to relations between its fields and the underlying input that are specified within the normative clauses of this part of ISO/IEC 19794.

3 Normative references

The following referenced documents are indispensable for the application of this document. For dated references, only the edition cited applies. For undated references, the latest edition of the referenced document (including any amendments) applies.

ISO/IEC 19785-1, *Information technology — Common Biometric Exchange Formats Framework — Part 1: Data element specification*

ISO/IEC 19785-2, *Information technology — Common Biometric Exchange Formats Framework — Part 2: Procedures for the operation of the Biometric Registration Authority*

ISO/IEC 19794-7:2007(E)

ISO/IEC 19785-3, *Information technology — Common Biometric Exchange Formats Framework — Part 3: Patron format specifications* ¹⁾

ISO/IEC 19794-1, *Information technology — Biometric data interchange formats — Part 1: Framework*

4 Terms and definitions

For the purposes of this document, the terms and definitions given in ISO/IEC 19794-1 and the following apply.

- 4.1 signature/sign**
handwritten signature or handwritten personal sign
- 4.2 time series**
sequence of values sampled at successive points in time
- 4.3 biometric data block**
BDB
block of data with a defined format that contains one or more biometric samples or biometric templates
- 4.4 channel**
data item (acquired, intermediate or processed) recorded in the form of a time series
- NOTE Examples include pen position, pen tip force and tilt.
- 4.5 pen azimuth**
angle measured clockwise from the positive y axis to the perpendicular projection of the pen onto the writing plane
- NOTE For an illustration, see Figure 1 (upper left and lower left).
- 4.6 pen elevation**
angle measured counter-clockwise from the perpendicular projection of the pen onto the writing plane to the pen
- NOTE For an illustration, see Figure 1 (upper left and lower left).
- 4.7 pen tilt along the x axis**
angle measured clockwise from the positive z axis to the perpendicular projection of the pen onto the x,z plane
- NOTE For an illustration, see Figure 1 (upper right and lower left).
- 4.8 pen tilt along the y axis**
angle measured clockwise from the positive z axis to the perpendicular projection of the pen onto the y,z plane
- NOTE For an illustration, see Figure 1 (upper right and lower left).

1) To be published.

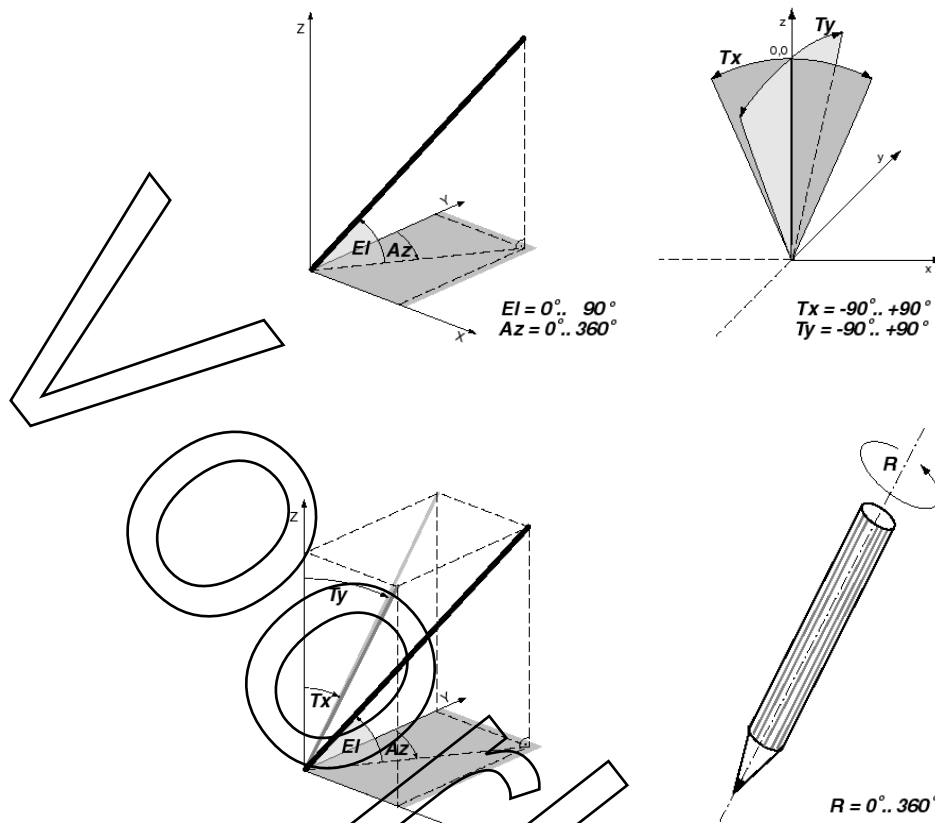


Figure 1 — Azimuth and elevation angles (upper left), tilt angles (upper right), pen orientation decomposition (lower left), and pen rotation (lower right)

4.9 pen rotation

angle of rotation of the pen about its longitudinal axis measured counter-clockwise from a device-specific reference rotational position

NOTE For an illustration, see Figure 1 (lower right).

4.10 X jitter

standard deviation of 100 x-coordinate samples from a stationary pen

4.11 Y jitter

standard deviation of 100 y-coordinate samples from a stationary pen

4.12 X resolution

number of dots per centimetre that the capture device resolves in the X (horizontal) direction

4.13 Y resolution

number of dots per centimetre that the capture device resolves in the Y (vertical) direction

4.14 Z resolution

number of dots per centimetre that the capture device resolves in the Z direction

Bestelformulier

NEN

Stuur naar:

NEN Standards Products & Services
t.a.v. afdeling Klantenservice
Antwoordnummer 10214
2600 WB Delft

NEN Standards Products & Services

Postbus 5059
2600 GB Delft

Vlinderweg 6
2623 AX Delft

T (015) 2 690 390
F (015) 2 690 271

www.nen.nl/normshop

Ja, ik bestel

__ ex. NEN-ISO/IEC 19794-7:2007 en Information technology - Biometric data interchange formats - Part 7: Signature/sign time series data € 106.87

Wilt u deze norm in PDF-formaat? Deze bestelt u eenvoudig via www.nen.nl/normshop

Gratis e-mailnieuwsbrieven

Wilt u op de hoogte blijven van de laatste ontwikkelingen op het gebied van normen, normalisatie en regelgeving? Neem dan een gratis abonnement op een van onze e-mailnieuwsbrieven. www.nen.nl/nieuwsbrieven

Retourneren

Fax: (015) 2 690 271
E-mail: klantenservice@nen.nl
Post: NEN Standards Products & Services,
t.a.v. afdeling Klantenservice
Antwoordnummer 10214,
2600 WB Delft
(geen postzegel nodig).

Gegevens

Bedrijf / Instelling _____

T.a.v. _____ O M O V

E-mail _____

Klantnummer NEN _____

Uw ordernummer _____ BTW nummer _____

Postbus / Adres _____

Postcode _____ Plaats _____

Telefoon _____ Fax _____

Factuuradres (indien dit afwijkt van bovenstaand adres)

Postbus / Adres _____

Postcode _____ Plaats _____

Datum _____ Handtekening _____

Voorwaarden

- De prijzen zijn geldig tot 31 december 2016, tenzij anders aangegeven.
- Alle prijzen zijn excl. btw, verzend- en handelingskosten en onder voorbehoud bij o.m. ISO- en IEC-normen.
- Bestelt u via de normshop een pdf, dan betaalt u geen handeling en verzendkosten.
- Meer informatie: telefoon (015) 2 690 391, dagelijks van 8.30 tot 17.00 uur.
- Wijzigingen en typfouten in teksten en prijsinformatie voorbehouden.
- U kunt onze algemene voorwaarden terugvinden op: www.nen.nl/leveringsvoorwaarden.