
**Rolling bearings — Cylindrical roller
bearings, separate thrust collars —
Boundary dimensions**

*Roulements — Roulements à rouleaux cylindriques, bagues
d'épaulement séparées — Dimensions d'encombrement*

Preview

Dit document mag slechts op een stand-alone PC worden geïnstalleerd. Gebruik op een netwerk is alleen toestaan als een aanvullende licentieovereenkomst voor netwerkgebruik met NEN is afgesloten. This document may only be used on a stand-alone PC. Use in a network is only permitted when a supplementary license agreement for us in a network with NEN has been concluded.



Reference number
ISO 246:2007(E)

© ISO 2007

PDF disclaimer

This PDF file may contain embedded typefaces. In accordance with Adobe's licensing policy, this file may be printed or viewed but shall not be edited unless the typefaces which are embedded are licensed to and installed on the computer performing the editing. In downloading this file, parties accept therein the responsibility of not infringing Adobe's licensing policy. The ISO Central Secretariat accepts no liability in this area.

Adobe is a trademark of Adobe Systems Incorporated.

Details of the software products used to create this PDF file can be found in the General Info relative to the file; the PDF-creation parameters were optimized for printing. Every care has been taken to ensure that the file is suitable for use by ISO member bodies. In the unlikely event that a problem relating to it is found, please inform the Central Secretariat at the address given below.

Copyright
Preview



COPYRIGHT PROTECTED DOCUMENT

© ISO 2007

All rights reserved. Unless otherwise specified, no part of this publication may be reproduced or utilized in any form or by any means, electronic or mechanical, including photocopying and microfilm, without permission in writing from either ISO at the address below or ISO's member body in the country of the requester.

ISO copyright office
Case postale 56 • CH-1211 Geneva 20
Tel. + 41 22 749 01 11
Fax + 41 22 749 09 47
E-mail copyright@iso.org
Web www.iso.org

Published in Switzerland

Foreword

ISO (the International Organization for Standardization) is a worldwide federation of national standards bodies (ISO member bodies). The work of preparing International Standards is normally carried out through ISO technical committees. Each member body interested in a subject for which a technical committee has been established has the right to be represented on that committee. International organizations, governmental and non-governmental, in liaison with ISO, also take part in the work. ISO collaborates closely with the International Electrotechnical Commission (IEC) on all matters of electrotechnical standardization.

International Standards are drafted in accordance with the rules given in the ISO/IEC Directives, Part 2.

The main task of technical committees is to prepare International Standards. Draft International Standards adopted by the technical committees are circulated to the member bodies for voting. Publication as an International Standard requires approval by at least 75 % of the member bodies casting a vote.

Attention is drawn to the possibility that some of the elements of this document may be the subject of patent rights. ISO shall not be held responsible for identifying any or all such patent rights.

ISO 246 was prepared by Technical Committee ISO/TC 4, *Rolling bearings*.

This third edition cancels and replaces the second edition (ISO 246:1995), which has been technically revised.

Voorbeeld
Preview

Rolling bearings — Cylindrical roller bearings, separate thrust collars — Boundary dimensions

1 Scope

This International Standard specifies the width, the maximum outside diameter, the bore and the bore minimum chamfer of separate thrust collars for cylindrical roller bearings in diameter series 0, 2, 3, and 4 as specified in ISO 15.

Dimensions for overall width and other geometrical features are not specified as they are dependent on the internal design of the bearings.

2 Normative references

The following referenced documents are indispensable for the application of this document. For dated references, only the edition cited applies. For undated references, the latest edition of the referenced document (including any amendments) applies.

ISO 15, *Rolling bearings — Radial bearings — Boundary dimensions, general plan*

ISO 582, *Rolling bearings — Chamfer dimensions — Maximum values*

ISO 5593, *Rolling bearings — Vocabulary*

ISO 15241, *Rolling bearings — Symbols for quantities*

3 Terms and definitions

For the purposes of this document, the terms and definitions given in ISO 5593 apply.

4 Symbols

For the purposes of this document, the symbols given in ISO 15241 and the following apply.

The symbols shown in Figure 1 and the values given in Table 1 and Table 2 denote nominal dimensions unless specified otherwise.

B_1	width of thrust collar protruding beyond inner ring face
d	bore diameter
d_1	outside diameter
r_1	chamfer dimension
$r_{1s \min}$	smallest single chamfer dimension

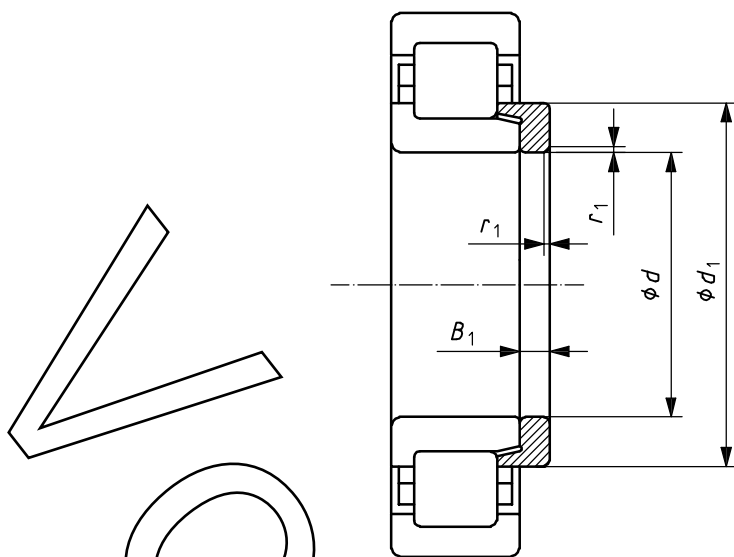


Figure 1 — Cylindrical roller bearing with separate thrust collar

5 Dimensions

Dimensions of separate thrust collars for cylindrical roller bearings of diameter series 0, 2, 3, and 4 (standard design) and diameter series 2E and 3E (E-design) are given in Table 1 and Table 2 respectively.

NOTE For radial cylindrical roller bearings series 2E and 3E, the E signifies that they are of the design having reinforced roller and cage assembly and increased radial load-carrying capacity.

Bestelformulier

Stuur naar:

NEN Standards Products & Services
t.a.v. afdeling Klantenservice
Antwoordnummer 10214
2600 WB Delft



NEN Standards Products & Services

Postbus 5059
2600 GB Delft

Vlinderweg 6
2623 AX Delft

T (015) 2 690 390
F (015) 2 690 271

www.nen.nl/normshop

Ja, ik bestel

__ ex. ISO 246:2007 en Wentellagers - Cilindrische wentellagers,
inbouwafmetingen voor hoekringen - Buitenafmetingen

€ 31.57

**Wilt u deze norm in PDF-formaat? Deze bestelt u eenvoudig via
www.nen.nl/normshop**

Gratis e-mailnieuwsbrieven

Wilt u op de hoogte blijven van de laatste ontwikkelingen op het gebied van normen, normalisatie en regelgeving? Neem dan een gratis abonnement op een van onze e-mailnieuwsbrieven. www.nen.nl/nieuwsbrieven

Gegevens

Bedrijf / Instelling

T.a.v. O M O V

E-mail

Klantnummer NEN

Uw ordernummer BTW nummer

Postbus / Adres

Postcode Plaats

Telefoon Fax

Factuuradres (indien dit afwijkt van bovenstaand adres)

Postbus / Adres

Postcode Plaats

Datum Handtekening

Retourneren

Fax: 015 2 690 271

E-mail: klantenservice@nen.nl

Post: NEN Standards Products & Services,

t.a.v. afdeling Klantenservice
Antwoordnummer 10214,
2600 WB Delft

(geen postzegel nodig).

Voorwaarden

- De prijzen zijn geldig tot 31 december 2018, tenzij anders aangegeven.
- Alle prijzen zijn excl. btw, verzend- en handelingskosten en onder voorbehoud bij o.m. ISO- en IEC-normen.
- Bestelt u via de normshop een pdf, dan betaalt u geen handeling en verzendkosten.
- Meer informatie: telefoon 015 2 690 391, dagelijks van 8.30 tot 17.00 uur.
- Wijzigingen en typfouten in teksten en prijsinformatie voorbehouden.
- U kunt onze algemene voorwaarden terugvinden op: www.nen.nl/leveringsvoorwaarden.