



Nederlandse norm

# **NEN-EN 3660-063**

(en)

Aerospace series - Cable outlet accessories for circular and rectangular electrical and optical connectors - Part 063: Cable outlet, style K, straight, for heat shrinkable boot, shielded, sealed, self-locking for EN 3645 - Product standard

ICS 49.060  
november 2009

Als Nederlandse norm is aanvaard:  
- EN 3660-063:2009, IDT

VOORBEELD  
Preview

Normcommissie 345030 "Lucht- en ruimtevaart"

---

Apart from exceptions provided by the law, nothing from this publication may be duplicated and/or published by means of photocopy, microfilm, storage in computer files or otherwise, which also applies to full or partial processing, without the written consent of the Netherlands Standardization Institute.

The Netherlands Standardization Institute shall, with the exclusion of any other beneficiary, collect payments owed by third parties for duplication and/or act in and out of law, where this authority is not transferred or falls by right to the Reproduction Rights Foundation.

---

Auteursrecht voorbehouden. Behoudens uitzondering door de wet gesteld mag zonder schriftelijke toestemming van het Nederlands Normalisatie-instituut niets uit deze uitgave worden verveelvoudigd en/of openbaar gemaakt door middel van fotokopie, microfilm, opslag in computerbestanden of anderszins, hetgeen ook van toepassing is op gehele of gedeeltelijke bewerking.

Het Nederlands Normalisatie-instituut is met uitsluiting van ieder ander gerechtigd de door derden verschuldigde vergoedingen voor verveelvoudiging te innen en/of daartoe in en buiten rechte op te treden, voor zover deze bevoegdheid niet is overgedragen c.q. rechtens toekomt aan de Stichting Reprorecht.

---

Although the utmost care has been taken with this publication, errors and omissions cannot be entirely excluded. The Netherlands Standardization Institute and/or the members of the committees therefore accept no liability, not even for direct or indirect damage, occurring due to or in relation with the application of publications issued by the Netherlands Standardization Institute.

---

Hoewel bij deze uitgave de uiterste zorg is nagestreefd, kunnen fouten en onvolledigheden niet geheel worden uitgesloten. Het Nederlands Normalisatie-instituut en/of de leden van de commissies aanvaardden derhalve geen enkele aansprakelijkheid, ook niet voor directe of indirecte schade, ontstaan door of verband houdend met toepassing van door het Nederlands Normalisatie-instituut gepubliceerde uitgaven.

## Nederlands voorwoord

Voor de in deze norm vermelde normatieve verwijzingen bestaan in Nederland de volgende equivalenten:

<u>vermelde norm</u>	<u>Nederlandse norm</u>	<u>titel</u>
EN 2591-100	NEN-EN 2591-100	Aerospace series - Elements of electrical and optical connection - Test methods - Part 100: General
EN 3645:series	NEN-EN 3645:reeks	Aerospace series - Connectors, electrical, circular, scoop-proof triple start threaded coupling, operating temperature 175 °C or 200 °C continuous - Part 001: Technical specification
EN 3660-001:2006	NEN-EN 3660-001:2006	Aerospace series - Cable outlet accessories for circular and rectangular electrical and optical connectors - Part 001: Technical specification
EN 3660-002	NEN-EN 3660-002	Aerospace series - Cable outlet accessories for circular and rectangular electrical and optical connectors - Part 002: Index of product standards
EN 3660-033		-

Voorbeeld  
Preview

ICS 49.060

English Version

**Aerospace series - Cable outlet accessories for circular and rectangular electrical and optical connectors - Part 063: Cable outlet, style K, straight, for heat shrinkable boot, shielded, sealed, self-locking for EN 3645 - Product standard**

Série aérospatiale - Accessoires arrière pour connecteurs circulaires et rectangulaires électriques et optiques - Partie 063: Raccord type K, droit, blindé, étanche, pour manchon thermorétractable, auto-freiné pour EN 3645 - Norme de produit

Luft- und Raumfahrt - Endgehäuse für elektrische und optische Rund- und Rechtecksteckverbinder - Teil 063: Endgehäuse, Bauform K, gerade, für wärmeschrumpfende Bauteile, Schirmanschluß, abgedichtet, selbstsichernd für EN 3645 - Produktnorm

This European Standard was approved by CEN on 20 June 2009.

CEN members are bound to comply with the CEN/CENELEC Internal Regulations which stipulate the conditions for giving this European Standard the status of a national standard without any alteration. Up-to-date lists and bibliographical references concerning such national standards may be obtained on application to the CEN Management Centre or to any CEN member.

This European Standard exists in three official versions (English, French, German). A version in any other language made by translation under the responsibility of a CEN member into its own language and notified to the CEN Management Centre has the same status as the official versions.

CEN members are the national standards bodies of Austria, Belgium, Bulgaria, Cyprus, Czech Republic, Denmark, Estonia, Finland, France, Germany, Greece, Hungary, Iceland, Ireland, Italy, Latvia, Lithuania, Luxembourg, Malta, Netherlands, Norway, Poland, Portugal, Romania, Slovakia, Slovenia, Spain, Sweden, Switzerland and United Kingdom.



EUROPEAN COMMITTEE FOR STANDARDIZATION  
 COMITÉ EUROPÉEN DE NORMALISATION  
 EUROPÄISCHES KOMITEE FÜR NORMUNG

Management Centre: Avenue Marnix 17, B-1000 Brussels

**Contents**

Page

Foreword.....	3
1 Scope.....	4
2 Normative references.....	4
3 Terms and definitions.....	4
4 Characteristics.....	5
5 Tests.....	11
6 Designation.....	16
7 Marking.....	17
8 Technical specification.....	17

Orbweave  
Preview

## Foreword

This document (EN 3660-063:2009) has been prepared by the Aerospace and Defence Industries Association of Europe - Standardization (ASD-STAN).

After enquiries and votes carried out in accordance with the rules of this Association, this Standard has received the approval of the National Associations and the Official Services of the member countries of ASD, prior to its presentation to CEN.

This European Standard shall be given the status of a national standard, either by publication of an identical text or by endorsement, at the latest by May 2010, and conflicting national standards shall be withdrawn at the latest by May 2010.

Attention is drawn to the possibility that some of the elements of this document may be the subject of patent rights. CEN [and/or CENELEC] shall not be held responsible for identifying any or all such patent rights.

According to the CEN/CENELEC Internal Regulations, the national standards organizations of the following countries are bound to implement this European Standard: Austria, Belgium, Bulgaria, Cyprus, Czech Republic, Denmark, Estonia, Finland, France, Germany, Greece, Hungary, Iceland, Ireland, Italy, Latvia, Lithuania, Luxembourg, Malta, Netherlands, Norway, Poland, Portugal, Romania, Slovakia, Slovenia, Spain, Sweden, Switzerland and the United Kingdom.

Preview

CENELEC

**EN 3660-063:2009 (E)****1 Scope**

This European Standard defines a range of cable outlets, style K, straight, shielded, sealed, self-locking for heat shrinkable boot, for use under the following conditions:

Associated electrical connector(s) : EN 3660-002.

Temperature range, Class F : - 65 °C to 200 °C;  
 Class K : - 65 °C to 260 °C;  
 Class W : - 65 °C to 175 °C.

Associated electrical accessories : EN 3660-033 Metallic band (for shield termination backshell).

These cable outlets are designed for termination of overall shielding braid or individual cable shields. They accommodate/permit the termination of heat shrinkable boots.

**2 Normative references**

The following referenced documents are indispensable for the application of this document. For dated references, only the edition cited applies. For undated references, the latest edition of the referenced document (including any amendments) applies.

EN 2591-100\*, *Aerospace series — Elements of electrical and optical connection — Test methods — Part 100: General*

EN 3645 (all parts), *Connectors, electrical, circular, scoop-proof, triple start threaded coupling operating temperature 175 °C or 200 °C continuous*

EN 3660-001:2006, *Aerospace series — Cable outlet accessories for circular and rectangular electrical and optical connectors — Part 001: Technical specification*

EN 3660-002, *Aerospace series — Cable outlet accessories for circular and rectangular electrical and optical connectors — Part 002: Index of product standards*

EN 3660-033, *Aerospace series — Cable outlet accessories for circular and rectangular electrical and optical connectors — Part 033: Metallic band — Product standard*<sup>1)</sup>

AS85049A, *Connector accessories, electrical general specification for*<sup>2)</sup>

DIN 82, *Knurling*

**3 Terms and definitions**

For the purposes of this document, the terms and definitions given in EN 3660-001:2006 apply.

\* As well as all parts of EN 2591 quoted in this standard.

1) In preparation at the date of publication of this standard.

2) Published by: Society of Automotive Engineers, Inc. (SAE), 400 Commonwealth Drive, Warrendale, PA 15096-0001.



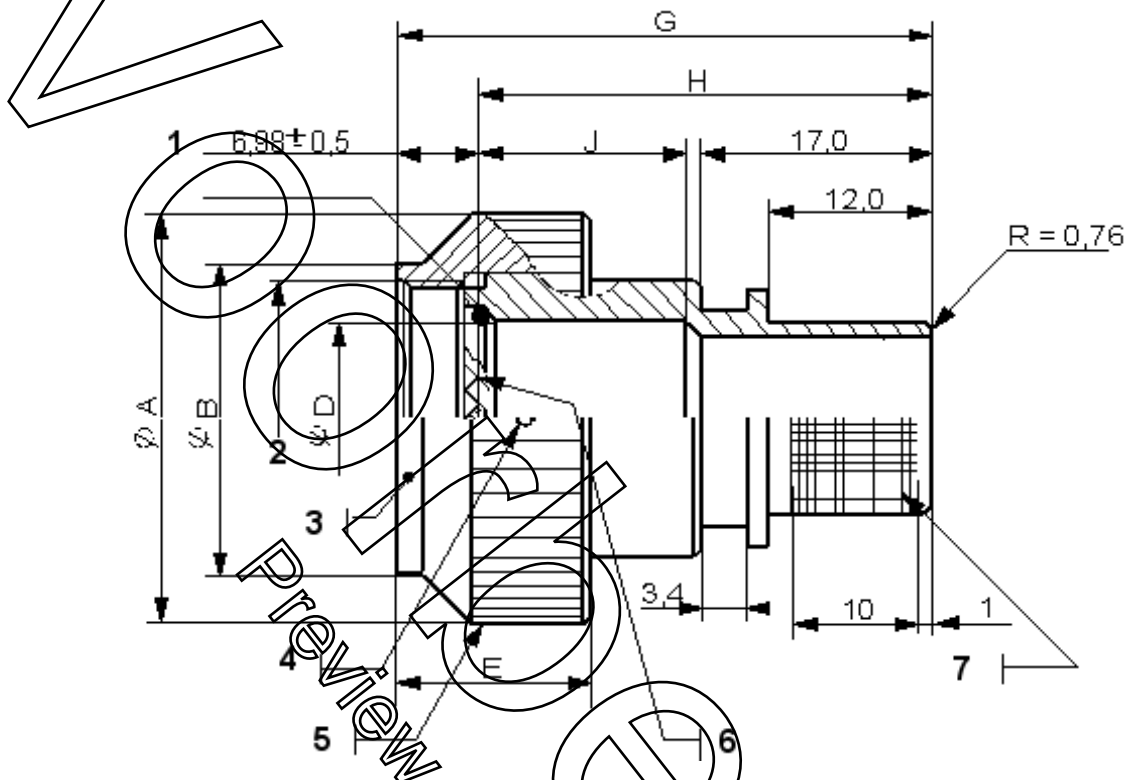
## 4 Characteristics

### 4.1 Dimensions and mass

For dimensions and mass, see Figure 1 and Table 1 to Table 4.

For cable entry dimensions, see 4.2.

All dimensions are in millimetres.



#### Key

- 1 "O" ring
- 2 Thread C
- 3 Marking
- 4 Four holes  $\varnothing 2,8$  for tools, depth = 1,27
- 5 RAA 1,0 DIN 82 knurling
- 6 Number of teeth N
- 7 RKV 08 DIN 82 knurling

Figure 1

# Bestelformulier

## Stuur naar:

NEN Standards Products & Services  
t.a.v. afdeling Klantenservice  
Antwoordnummer 10214  
2600 WB Delft



**NEN** Standards Products & Services

Postbus 5059  
2600 GB Delft

Vlinderweg 6  
2623 AX Delft

T (015) 2 690 390  
F (015) 2 690 271

[www.nen.nl/normshop](http://www.nen.nl/normshop)

## Ja, ik bestel

\_\_\_ ex. NEN-EN 3660-063:2009 en Aerospace series - Cable outlet accessories for circular and rectangular electrical and optical connectors - Part 063: Cable outlet, style K, straight, for heat shrinkable boot, shielded, sealed, self-locking for EN 3645 - Product standard € 50.04

**Wilt u deze norm in PDF-formaat? Deze bestelt u eenvoudig via [www.nen.nl/normshop](http://www.nen.nl/normshop)**

### Gratis e-mailnieuwsbrieven

Wilt u op de hoogte blijven van de laatste ontwikkelingen op het gebied van normen, normalisatie en regelgeving? Neem dan een gratis abonnement op een van onze e-mailnieuwsbrieven. [www.nen.nl/nieuwsbrieven](http://www.nen.nl/nieuwsbrieven)

## Gegevens

Bedrijf / Instelling \_\_\_\_\_

T.a.v. \_\_\_\_\_ O M O V

E-mail \_\_\_\_\_

Klantnummer NEN \_\_\_\_\_

Uw ordernummer \_\_\_\_\_ BTW nummer \_\_\_\_\_

Postbus / Adres \_\_\_\_\_

Postcode \_\_\_\_\_ Plaats \_\_\_\_\_

Telefoon \_\_\_\_\_ Fax \_\_\_\_\_

**Factuuradres** (indien dit afwijkt van bovenstaand adres)

Postbus / Adres \_\_\_\_\_

Postcode \_\_\_\_\_ Plaats \_\_\_\_\_

Datum \_\_\_\_\_ Handtekening \_\_\_\_\_

### Retourneren

Fax: 015 2 690 271

E-mail: [klantenservice@nen.nl](mailto:klantenservice@nen.nl)

Post: NEN Standards Products & Services,

t.a.v. afdeling Klantenservice  
Antwoordnummer 10214,  
2600 WB Delft

(geen postzegel nodig).

### Voorwaarden

- De prijzen zijn geldig tot 31 december 2018, tenzij anders aangegeven.
- Alle prijzen zijn excl. btw, verzend- en handelingskosten en onder voorbehoud bij o.m. ISO- en IEC-normen.
- Bestelt u via de normshop een pdf, dan betaalt u geen handeling en verzendkosten.
- Meer informatie: telefoon 015 2 690 391, dagelijks van 8.30 tot 17.00 uur.
- Wijzigingen en typfouten in teksten en prijsinformatie voorbehouden.
- U kunt onze algemene voorwaarden terugvinden op: [www.nen.nl/leveringsvoorwaarden](http://www.nen.nl/leveringsvoorwaarden).