

norm

NEN-EN 1730

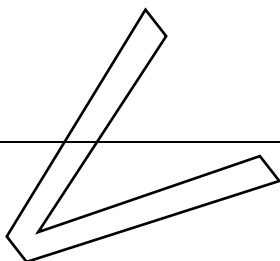
Furniture - Tables - Test methods for the determination of stability, strength and durability

Publicatie uitsluitend voor commentaar

december 2010
ICS 97.140

Commentaar vóór 2011-03-25

Zal vervangen NEN-EN 1730:2000



Als Europees normontwerp is gepubliceerd: prEN 1730:2010, IDT

Definitief vastgestelde normen zullen als Nederlandse norm gelden. Daarom wordt dit normontwerp in Nederland voor commentaar gepubliceerd. Op het ontwerp ingebracht commentaar zal aan de bevoegde normcommissie worden voorgelegd die hiermee rekening zal houden bij de bepaling van de Nederlandse stem. Indien er geen bezwaar bij NEN wordt gebracht, kan dat leiden tot ongewijzigde definitieve vaststelling van het ontwerp als norm.

Van Europese normen bestaan drie officiële versies: Engels, Frans en Duits. Voor Nederland zal de Engelse versie gelden. Daarnaast kan er gekozen worden voor een andere geautoriseerde versie in het Nederlands.

Normcommissie 330021 "Meubelen"

Apart from exceptions provided by the law, nothing from this publication may be duplicated and/or published by means of photocopy, microfilm, storage in computer files or otherwise, which also applies to full or partial processing, without the written consent of the Netherlands Standardization Institute.

The Netherlands Standardization Institute shall, with the exclusion of any other beneficiary, collect payments owed by third parties for duplication and/or act in and out of law, where this authority is not transferred or falls by right to the Reproduction Rights Foundation.

Auteursrecht voorbehouden. Behoudens uitzondering door de wet gesteld mag zonder schriftelijke toestemming van het Nederlands Normalisatie-instituut niets uit deze uitgave worden verveelvoudigd en/of openbaar gemaakt door middel van fotokopie, microfilm, opslag in computerbestanden of anderszins, hetgeen ook van toepassing is op gehele of gedeeltelijke bewerking.

Het Nederlands Normalisatie-instituut is met uitsluiting van ieder ander gerechtigd de door derden verschuldigde vergoedingen voor verveelvoudiging te innen en/of daartoe in en buiten rechte op te treden, voor zover deze bevoegdheid niet is overgedragen c.q. rechtens toekomt aan de Stichting Reprorecht.

Although the utmost care has been taken with this publication, errors and omissions cannot be entirely excluded. The Netherlands Standardization Institute and/or the members of the committees therefore accept no liability, not even for direct or indirect damage, occurring due to or in relation with the application of publications issued by the Netherlands Standardization Institute.

Hoewel bij deze uitgave de uiterste zorg is nagestreefd, kunnen fouten en onvolledigheden niet geheel worden uitgesloten. Het Nederlands Normalisatie-instituut en/of de leden van de commissies aanvaarden derhalve geen enkele aansprakelijkheid, ook niet voor directe of indirecte schade, ontstaan door of verband houdend met toepassing van door het Nederlands Normalisatie-instituut gepubliceerde uitgaven.

Voorbeeld
Preview

November 2010

ICS 97.140

Will supersede EN 1730:2000

English Version

Furniture - Tables - Test methods for the determination of stability, strength and durability

Mobilier domestique - Tables - Méthodes d'essai pour la détermination de la résistance, de la durabilité et de la stabilité

Möbel - Tische - Prüfverfahren zur Bestimmung der Standsicherheit, Festigkeit und Dauerhaltbarkeit

This draft European Standard is submitted to CEN members for enquiry. It has been drawn up by the Technical Committee CEN/TC 207.

If this draft becomes a European Standard, CEN members are bound to comply with the CEN/CENELEC Internal Regulations which stipulate the conditions for giving this European Standard the status of a national standard without any alteration.

This draft European Standard was established by CEN in three official versions (English, French, German). A version in any other language made by translation under the responsibility of a CEN member into its own language and notified to the CEN-CENELEC Management Centre has the same status as the official versions.

CEN members are the national standards bodies of Austria, Belgium, Bulgaria, Croatia, Cyprus, Czech Republic, Denmark, Estonia, Finland, France, Germany, Greece, Hungary, Iceland, Ireland, Italy, Latvia, Lithuania, Luxembourg, Malta, Netherlands, Norway, Poland, Portugal, Romania, Slovakia, Slovenia, Spain, Sweden, Switzerland and United Kingdom.

Recipients of this draft are invited to submit, with their comments, notification of any relevant patent rights of which they are aware and to provide supporting documentation.

Warning : This document is not a European Standard. It is distributed for review and comments. It is subject to change without notice and shall not be referred to as a European Standard.



EUROPEAN COMMITTEE FOR STANDARDIZATION
COMITÉ EUROPÉEN DE NORMALISATION
EUROPÄISCHES KOMITEE FÜR NORMUNG

Management Centre: Avenue Marnix 17, B-1000 Brussels

Contents

Page

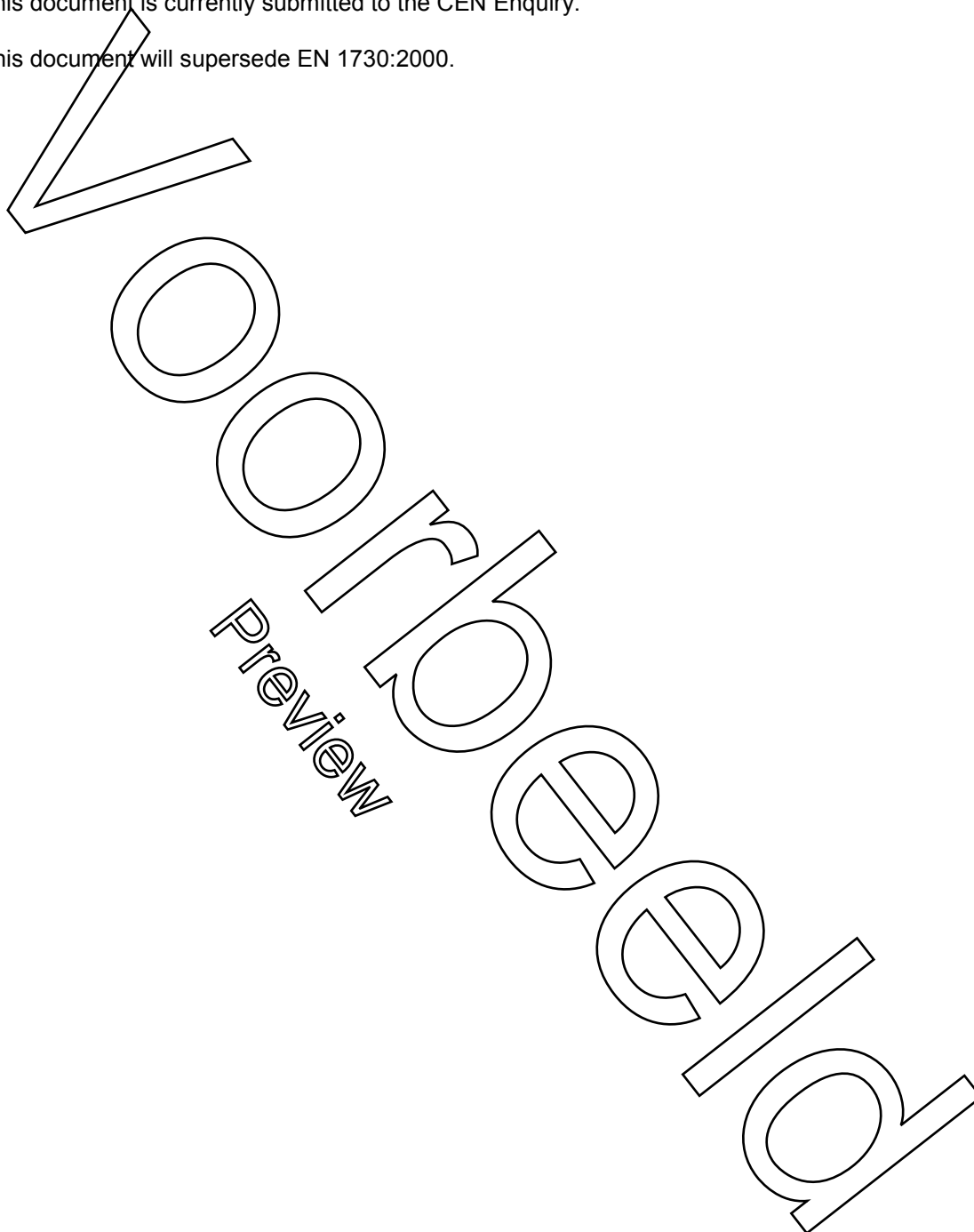
Foreword.....	3
1 Scope	4
2 Normative references	4
3 Terms and definitions	4
4 General test conditions.....	5
4.1 Preliminary preparation	5
4.2 Application of forces	5
4.3 Tolerances	5
5 Test equipment and apparatus.....	6
5.1 General.....	6
5.2 Vertical impactor.....	6
5.2.1 General.....	6
5.2.2 Circular body.....	6
5.2.3 Springs.....	6
5.2.4 Striking surface.....	7
5.3 Floor.....	7
5.4 Stops	7
5.5 Loading pad.....	8
5.6 Foam	8
5.7 Steel test tube	8
5.8 Obstacles for castor durability tests	8
6 Test procedures – Strength and durability	8
6.1 General.....	8
6.2 Horizontal static load test.....	8
6.3 Vertical static load tests.....	13
6.3.1 Vertical static load on main surface	13
6.3.2 Additional vertical static load test where the main surface has a length > 1 600 mm	15
6.3.3 Vertical static load on ancillary surface	15
6.4 Horizontal durability and stiffness test	15
6.4.1 General.....	15
6.4.2 Horizontal durability test.....	16
6.4.3 Stiffness of the structure	17
6.5 Vertical durability test	19
6.6 Vertical impact test.....	19
6.7 Deflection of table tops	20
6.8 Durability of tables with castors	20
6.9 Drop test	20
7 Test procedures – Stability	21
7.1 General.....	21
7.1.1 Introduction	21
7.1.2 Loads in storage features	21
7.2 Stability under vertical load.....	21
7.2.1 General.....	21
7.2.2 Test for tables that are or can be set to a height of 950 mm or less	21
7.2.3 Test for tables that are or can be set to a height greater than 950 mm	22
7.3 Stability for tables with extension elements.....	23
7.4 Stability of tables where the structure is intended to support a parasol.....	23
8 Test procedures – Height adjustment mechanisms	24
8.1 General.....	24
8.2 Durability of height adjustment mechanisms.....	24

Foreword

This document (prEN 1730:2010) has been prepared by Technical Committee CEN/TC 207 “Furniture”, the secretariat of which is held by UNI.

This document is currently submitted to the CEN Enquiry.

This document will supersede EN 1730:2000.



1 Scope

This European Standard specifies test methods for the stability, strength and durability of the structure of all types of table and desk without regard to use, materials, design/construction or manufacturing process.

This European Standard does not apply to changing units which are covered by other European Standards.

Test methods for the assessment of ageing, degradation and ergonomics are not included.

This European Standard does not apply to the strength and durability of any storage features, which are covered by other European Standards.

This European Standard does not apply to electrical safety.

Not all tests are necessarily applicable to all types of table.

This European Standard does not include any requirements. Requirements for different end uses can be found in other Standards.

2 Normative references

The following referenced documents are indispensable for the application of this document. For dated references, only the edition cited applies. For undated references, the latest edition of the referenced document (including any amendments) applies.

EN 14072:2003, *Glass in furniture — Test methods*

ISO 7619-2:2004, *Rubber, vulcanized or thermoplastic — Determination of indentation hardness — Part 2: IRHD pocket meter method*

3 Terms and definitions

For the purposes of this document, the following terms and definitions apply.

3.1 static tests
tests consisting of heavy loads being applied a few times to ensure that the furniture has sufficient strength under the highest levels of loading that might reasonably be expected to occur

3.2 impact tests
tests to assess the strength and stability of the article under shock loading that might reasonably be expected to occur

3.3 durability tests
tests simulating the repeated application of loads or movement of components occurring during long-term functional use

3.4 structure
load bearing parts of furniture such as the frame, top and legs

3.5**stability**

ability to withstand forces that tend to cause the article to overturn

3.6**ancillary surface**

surface additional to the main surface intended for occasional use as part of the table top

NOTE A table extension added in the centre of the table shall be considered as the main surface. A part of the main surface in the unextended configuration may become an ancillary surface in the extended configuration. Tables where the extended configuration has a surface area greater than 50 % of the unextended configuration, then the extended configuration shall be considered the main surface.

3.7**duty cycle**

length of time the height adjustable table's drive system may be operated without impairing its useful life

NOTE The duty cycle includes the amount of time the drive system may be operated and the amount of time it must not be operated to allow the drive system to cool sufficiently before it is activated again.

4 General test conditions**4.1 Preliminary preparation**

The furniture shall be tested as delivered. Knock-down furniture shall be assembled according to the instructions supplied with it. If the instructions allow the furniture to be assembled or combined in different ways, the most adverse combination shall be used for each test. Knock-down fittings shall be tightened before testing. Further tightening shall not take place unless specifically required by the manufacturer.

For furniture where the structure includes hygroscopic materials, at least one week in normal indoor conditions shall have elapsed between assembly and testing.

For furniture where the structure includes plastics materials, at least 48 hours in normal indoor conditions shall have elapsed between assembly and testing.

The tests shall be carried out at indoor ambient conditions but if during a test the temperature is outside the range 15° C to 25° C the maximum and/or minimum temperature shall be recorded in the test report.

The test for deflection of table tops (see 6.7), except those made from metal, glass and stone, shall be carried out at a relative humidity of (50 ± 5)% and a temperature of (23 ± 2)° C.

4.2 Application of forces

The test forces in durability and static load tests shall be applied sufficiently slowly to ensure that negligible dynamic load is applied. The forces in durability tests shall be applied sufficiently slowly to ensure that kinetic heating does not occur.

Unless otherwise stated static loads shall be maintained for 10 ± 2 seconds. Unless otherwise stated durability loads shall be maintained for 2 ± 1 seconds.

The forces may be replaced by masses. The relationship 10 N = 1 kg shall be used.

4.3 Tolerances

Unless otherwise stated, the following tolerances are applicable to the test equipment:

— Forces: ± 5 % of the nominal force;

prEN 1730:2010 (E)

- Velocities: ± 5 % of the nominal velocity;
- Masses: ± 1 % of the nominal mass;
- Dimensions: ± 1 mm of the nominal dimension;
- Angles: $\pm 2^\circ$ of the nominal angle.

The accuracy for the positioning of loading pads and impact plates shall be ± 5 mm.

NOTE For the purposes of uncertainty measurement, test results are not considered to be adversely affected when the above tolerances are met.

5 Test equipment and apparatus

5.1 General

Unless otherwise stated, the tests may be applied by any suitable device because the results are not dependent upon the apparatus, except in the case of impact tests where the apparatus described in 5.2 shall be used.

The equipment shall not inhibit deformation nor cause unnatural deformation of the unit/component, i.e. it shall be able to move so that it can follow the deformation of the unit/component during testing.

With the exception of the horizontal static, durability and stiffness tests, described in 6.2 & 6.4, all loading pads shall be capable of pivoting in relation to the direction of the applied force and the pivot point shall be as close as practically possible to the load surface.

Loading pads for the horizontal static, durability and stiffness tests, described in 6.2 & 6.4, shall not pivot.

With the exception of the horizontal static, durability and stiffness tests described in 6.2 & 6.4, if a loading pad tends to slide use a slip resistant material between the loading pad and the surface being tested.

5.2 Vertical impactor

5.2.1 General

The vertical impactor is shown in Figure 1. The impactor comprises:

5.2.2 Circular body

200 mm in diameter separated from the striking surface by helical compression springs and free to move relative to it on a line perpendicular to the plane of the central area of the striking surface. The body and associated parts minus the springs shall have a mass of (17 ± 0.1) kg and the whole apparatus, including mass, springs and striking surface, shall have a mass of (25 ± 0.1) kg.

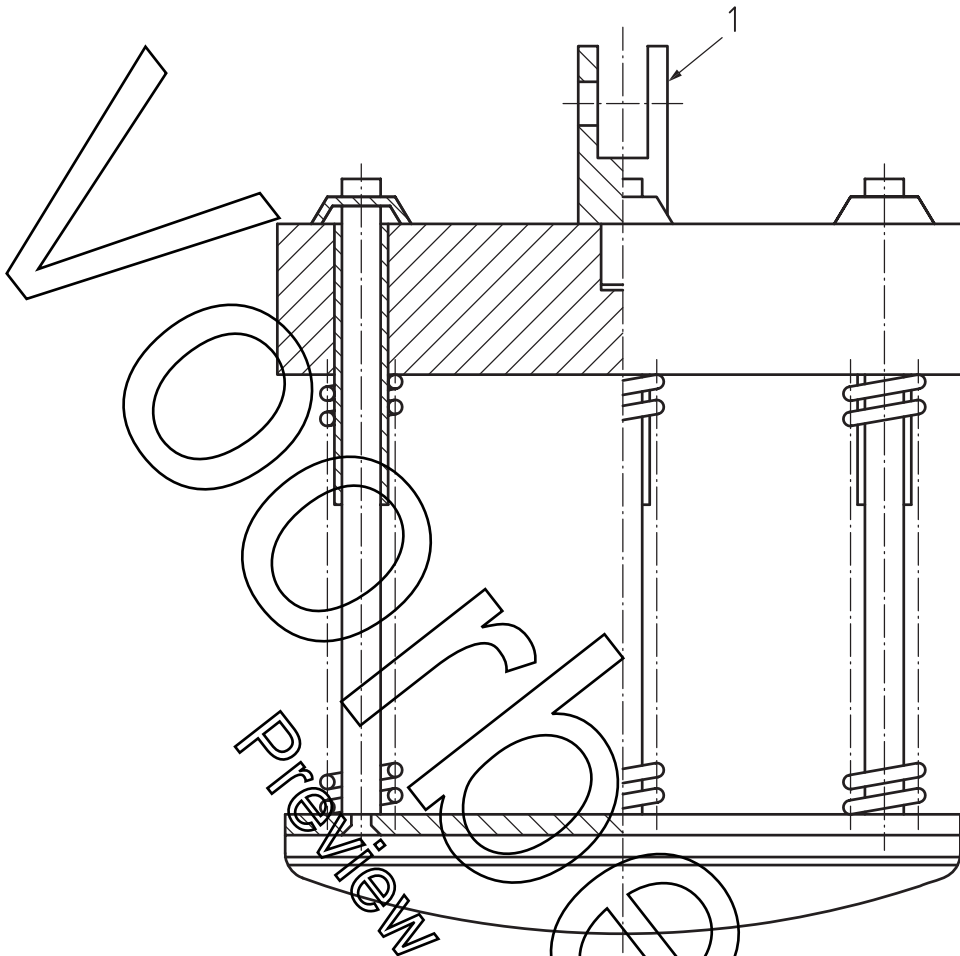
5.2.3 Springs

Which shall be such that the combined spring system has a nominal spring rate of (7 ± 2) N/mm and the total friction resistance of the moving parts is less than 1 N.

The spring system shall be compressed to an initial load of (1040 ± 5) N (measured statically) and the amount of spring compression movement available from the initial compression point to the point where the springs become fully closed shall be not less than 60 mm.

5.2.4 Striking surface

Shall be a rigid circular object, 200 mm in diameter, the face of which has a convex spherical curvature of 300 mm radius with a 12 mm front edge radius.



Key

- 1 Joint of lifting device not inhibiting free fall

Figure 1 — Vertical impactor

5.3 Floor

Horizontal, flat and rigid with a smooth surface.

For the drop test (6.9) the floor shall be faced with a 2 mm thick layer of rubber with a hardness of 85 ± 10 IRHD according to ISO 7619-2: 2004.

5.4 Stops

To prevent the article from sliding but not tilting, no higher than 12 mm except in cases where the design of the item necessitates the use of higher stops, in which case the lowest that will prevent the item from moving shall be used.

Bestelformulier

NEN

Stuur naar:

NEN Uitgeverij
t.a.v. afdeling Marketing
Antwoordnummer 10214
2600 WB Delft

NEN Uitgeverij

Postbus 5059
2600 GB Delft

Vlinderweg 6
2623 AX Delft

T (015) 2 690 390
F (015) 2 690 271

www.nen.nl/normshop

Ja, ik bestel

__ ex. NEN-EN 1730:2010 Ontw. en Woonmeubelen - Tafels -
Beproevingmethoden voor de bepaling van de sterkte, de duurzaamheid en
de stabiliteit

€ 29.20

**Wilt u deze norm in PDF-formaat? Deze bestelt u eenvoudig via
www.nen.nl/normshop**

Stel uw vraag aan
Klantenservice via:

[@NEN_webcare](https://twitter.com/NEN_webcare)

Gratis e-mailnieuwsbrieven

Wilt u op de hoogte blijven van de laatste ontwikkelingen op het gebied van normen,
normalisatie en regelgeving? Neem dan een gratis abonnement op een van onze
e-mailnieuwsbrieven. www.nen.nl/nieuwsbrieven

Retourneren

Fax: (015) 2 690 271
E-mail: marketing@nen.nl
Post: NEN Uitgeverij,
t.a.v. afdeling Marketing
Antwoordnummer 10214,
2600 WB Delft
(geen postzegel nodig).

Gegevens

Bedrijf / Instelling

T.a.v. _____ O M O V

E-mail

Klantnummer NEN

Uw ordernummer _____ BTW nummer _____

Postbus / Adres

Postcode _____ Plaats _____

Telefoon _____ Fax _____

Factuuradres (indien dit afwijkt van bovenstaand adres)

Postbus / Adres

Postcode _____ Plaats _____

Datum _____ Handtekening _____

Voorwaarden

- De prijzen zijn geldig tot 31 december 2015, tenzij anders aangegeven.
- Alle prijzen zijn excl. btw, verzend- en handelingskosten en onder voorbehoud bij o.m. ISO- en IEC-normen.
- Bestelt u via de normshop een pdf, dan betaalt u geen handeling en verzendkosten.
- Meer informatie: telefoon (015) 2 690 391, dagelijks van 8.30 tot 17.00 uur.
- Wijzigingen en typfouten in teksten en prijsinformatie voorbehouden.
- U kunt onze algemene voorwaarden terugvinden op: www.nen.nl/leveringsvoorwaarden.