

norm**NEN-EN 14399-7**

Hoge-sterkte bevestigingsmiddelen voor constructieve toepassingen en geschikt voor voorspanning - Deel 7: Systeem HR - Verzonken kopbout- en moergarnituren

Publicatie uitsluitend voor commentaar

High-strength structural bolting assemblies for preloading - Part 7: System HR - Countersunk head bolt and nut assemblies

december 2015
ICS 21.060.01

Commentaar vóór 2016-02-03

Zal vervangen NEN-EN 14399-7:2008

Als Europees normontwerp is gepubliceerd: prEN 14399-7:2015, IDT

Definitief vastgestelde normen zullen als Nederlandse norm gelden. Daarom wordt dit normontwerp in Nederland voor commentaar gepubliceerd. Op het ontwerp ingebracht commentaar zal aan de bevoegde normcommissie worden voorgelegd die hiermee rekening zal houden bij de bepaling van de Nederlandse stem. Indien er geen bezwaar bij NEN wordt gebracht, kan dat leiden tot ongewijzigde definitieve vaststelling van het ontwerp als norm.

Van Europese normen bestaan drie officiële versies: Engels, Frans en Duits. Voor Nederland zal de Engelse versie gelden. Daarnaast kan er gekozen worden voor een andere geautoriseerde versie in het Nederlands.

Normcommissie 341028 "Onderdelen voor bevestiging"



THIS PUBLICATION IS COPYRIGHT PROTECTED

DEZE PUBLICATIE IS AUTEURSRECHTELIJK BESCHERMD

Apart from exceptions provided by the law, nothing from this publication may be duplicated and/or published by means of photocopy, microfilm, storage in computer files or otherwise, which also applies to full or partial processing, without the written consent of the Netherlands Standardization Institute.

The Netherlands Standardization Institute shall, with the exclusion of any other beneficiary, collect payments owed by third parties for duplication and/or act in and out of law, where this authority is not transferred or falls by right to the Reproduction Rights Foundation.

Auteursrecht voorbehouden. Behoudens uitzondering door de wet gesteld mag zonder schriftelijke toestemming van het Nederlands Normalisatie-instituut niets uit deze uitgave worden verveelvoudigd en/of openbaar gemaakt door middel van fotokopie, microfilm, opslag in computerbestanden of anderszins, hetgeen ook van toepassing is op gehele of gedeeltelijke bewerking.

Het Nederlands Normalisatie-instituut is met uitsluiting van ieder ander gerechtigd de door derden verschuldigde vergoedingen voor verveelvoudiging te innen en/of daartoe in en buiten rechte op te treden, voor zover deze bevoegdheid niet is overgedragen c.q. rechtens toekomt aan de Stichting Reprerecht.

Although the utmost care has been taken with this publication, errors and omissions cannot be entirely excluded. The Netherlands Standardization Institute and/or the members of the committees therefore accept no liability, not even for direct or indirect damage, occurring due to or in relation with the application of publications issued by the Netherlands Standardization Institute.

Hoewel bij deze uitgave de uiterste zorg is nagestreefd, kunnen fouten en onvolledigheden niet geheel worden uitgesloten. Het Nederlands Normalisatie-instituut en/of de leden van de commissies aanvaarden derhalve geen enkele aansprakelijkheid, ook niet voor directe of indirecte schade, ontstaan door of verband houdend met toepassing van door het Nederlands Normalisatie-instituut gepubliceerde uitgaven.

Voorbeeld
Preview

EUROPEAN STANDARD
NORME EUROPÉENNE
EUROPÄISCHE NORM

DRAFT
prEN 14399-7

December 2015

ICS 21.060.01

Will supersede EN 14399-7:2007

English Version

High-strength structural bolting assemblies for preloading - Part 7: System HR - Countersunk head bolt and nut assemblies

Boulonnerie de construction métallique à haute
résistance apte à la précontrainte - Partie 7 : Système
HR - Boulons à tête fraisée (vis + écrou)

Hochfeste vorspannbare Garnituren für
Schraubverbindungen im Metallbau - Teil 7: System HR
- Garnituren aus Senkschrauben und Muttern

This draft European Standard is submitted to CEN members for enquiry. It has been drawn up by the Technical Committee CEN/TC 185.

If this draft becomes a European Standard, CEN members are bound to comply with the CEN/CENELEC Internal Regulations which stipulate the conditions for giving this European Standard the status of a national standard without any alteration.

This draft European Standard was established by CEN in three official versions (English, French, German). A version in any other language made by translation under the responsibility of a CEN member into its own language and notified to the CEN-CENELEC Management Centre has the same status as the official versions.

CEN members are the national standards bodies of Austria, Belgium, Bulgaria, Croatia, Cyprus, Czech Republic, Denmark, Estonia, Finland, Former Yugoslav Republic of Macedonia, France, Germany, Greece, Hungary, Iceland, Ireland, Italy, Latvia, Lithuania, Luxembourg, Malta, Netherlands, Norway, Poland, Portugal, Romania, Slovakia, Slovenia, Spain, Sweden, Switzerland, Turkey and United Kingdom.

Recipients of this draft are invited to submit, with their comments, notification of any relevant patent rights of which they are aware and to provide supporting documentation.

Warning : This document is not a European Standard. It is distributed for review and comments. It is subject to change without notice and shall not be referred to as a European Standard.



EUROPEAN COMMITTEE FOR STANDARDIZATION
COMITÉ EUROPÉEN DE NORMALISATION
EUROPÄISCHES KOMITEE FÜR NORMUNG

CEN-CENELEC Management Centre: Avenue Marnix 17, B-1000 Brussels

Contents

	Page
European foreword.....	3
Introduction.....	4
1 Scope.....	6
2 Normative references.....	6
3 Bolts.....	7
3.1 Dimensions of bolts.....	7
3.2 Specification for bolts and reference standard.....	10
3.3 Marking of bolts.....	11
4 Nuts.....	11
4.1 Dimensions of nuts.....	11
4.2 Specification for nuts and reference standards.....	13
4.3 Proof load values of nuts.....	14
4.4 Decarburisation of the nut thread.....	14
4.5 Marking of nuts.....	15
5 Designation of the bolt/nut assemblies.....	15
6 Associated washers.....	15
7 Functional characteristics of the bolt/nut/washer assembly.....	15
7.1 General.....	15
7.2 Maximum individual value of the bolt force during fitness for purpose test ($F_{bi\ max}$).....	17
7.3 Values of angle $\Delta\theta_1$	17
7.4 Values of angle $\Delta\theta_2$	18
7.5 Individual values of the k -factor (k_i), mean value of the k -factor (k_m) and coefficient of variation of the k -factor (V_k).....	18
7.5.1 Individual values of the k -factor (k_i) for k -class K1.....	18
7.5.2 Mean value of the k -factor (k_m) and coefficient of variation of the k -factor (V_k) for k -class K2.....	18
Annex A (normative) Clamp lengths and grip lengths.....	20
A.1 Clamp lengths for countersunk head bolting assemblies.....	20
A.2 Grip lengths for countersunk head bolting assemblies.....	23
Bibliography.....	26

European foreword

This document (prEN 14399-7:2015) has been prepared by Technical Committee CEN/TC 185 "Fasteners", the secretariat of which is held by DIN.

This document is currently submitted to the CEN Enquiry.

This document will supersede EN 14399-7:2007.

In comparison with EN 14399-7:2007, the following modifications have been made:

- Table 1 containing the overview of the composition of bolting assemblies and component marking has been revised;
- the coefficient of variation of the k -factor, V_k , was changed from 0,10 to 0,06;
- specifications for the designation of the bolting assemblies have been revised;
- Annex A with detailed specifications on clamp lengths and grip lengths has been added.

EN 14399 consists of the following parts, under the general title *High-strength structural bolting assemblies for preloading*.

- Part 1: General requirements;
- Part 2: Suitability for preloading;
- Part 3: System HR — Hexagon bolt and nut assemblies;
- Part 4: System HV — Hexagon bolt and nut assemblies;
- Part 5: Plain washers;
- Part 6: Plain chamfered washers;
- Part 7: System HR — Countersunk head bolt and nut assemblies;
- Part 8: System HV — Hexagon fit bolt and nut assemblies;
- Part 9: System HR or HV — Direct tension indicators for bolt and nut assemblies;
- Part 10: System HRC — Bolt and nut assemblies with calibrated preload.

Introduction

This document on structural bolting reflects the situation in Europe where two technical solutions exist to achieve the necessary ductility of bolt/nut/washer(s) assemblies. These solutions consist of two different systems (HR and HV) of bolt/nut/washer assemblies, see Table 1. Both systems are well proven and it is the responsibility of the experts using structural bolting whether they use the one or the other system.

It is, however, important for the performance of the assembly to avoid mixing up the components of both systems. Therefore, bolts and nuts for both systems are standardized in one single part of this draft European Standard each and the marking of the components of the same system is uniform.

Preloaded bolted assemblies are very sensitive to differences in manufacture and lubrication. Therefore it is important that the bolting assemblies are supplied by one manufacturer who is always responsible for the functionality of the bolting assemblies.

For the same reason it is important that the coating of the bolting assemblies is under the control of one manufacturer.

Beside the mechanical properties of the components, the functionality of the bolting assemblies requires that the specified preload can be achieved if the bolting assemblies are tightened with a suitable procedure. For this purpose a test method for the suitability of the bolting assemblies for preloading was created, which will demonstrate whether the functionality of the bolting assemblies is fulfilled.

Copyright
Preview

Table 1 — Composition of high-strength structural bolting assemblies and component marking

Type of bolting assembly		System HR				System HV		System HRC	
General requirements		EN 14399-1							
Suitability for preloading		EN 14399-2 and, if any, additional testing specified in the product standard							
Bolt and nut		EN 14399-3		EN 14399-7		EN 14399-4	EN 14399-8	EN 14399-10	
Marking	Bolt	HR8.8	HR10.9	HR8.8	HR10.9	HV10.9	HVP10.9	HRC10.9	
	Nut	HR8 or HR10	HR10	HR8 or HR10	HR10	HV10	HV10	HR10	HRD10
Washer(s)		EN 14399-5 ^a or EN 14399-6				EN 14399-6		EN 14399-5 ^a or EN 14399-6	
Marking		H or HR ^b				H or HV ^b		H or HR ^b	H or HR ^b or HD ^c
Direct tension indicator and nut face washer or bolt face washer, if any		EN 14399-9							
Marking	Direct tension indicator	H8	H10	H8	H10	H10		Not applicable	
	Nut face washer	HN				HN			
	Bolt face washer	HB		Not applicable		HB			
^a EN 14399-5 can only be used under the nut.									
^b At the choice of the manufacturer.									
^c Mandatory mark for washers with enlarged outer diameter according to EN 14399-5 only.									

prEN 14399-7:2015 (E)**1 Scope**

This draft European Standard specifies, together with EN 14399-1 and EN 14399-2, the requirements for assemblies of high-strength structural countersunk bolts and nuts of system HR suitable for preloaded joints with thread sizes M12 to M36 and property classes 8.8/8 or 8.8/10 and 10.9/10.

Bolting assemblies in accordance with this document have been designed to allow preloading of at least $0,7 f_{ub} \times A_s$ ¹⁾ according to EN 1993-1-8 (Eurocode 3) and to obtain ductility predominantly by plastic elongation of the bolt. For this purpose the components have the following characteristics:

- regular nut height according to (style 1) see EN ISO 4032;
- thread length of the bolt according to ISO 888.

Bolting assemblies in accordance with this document include washers according to EN 14399-6 or to EN 14399-5.

NOTE Attention is drawn to the importance of ensuring that bolting assemblies are correctly used if satisfactory results are to be obtained. For recommendations concerning proper application, reference to EN 1090-2 is made.

General requirements and requirements for suitability for preloading are specified in EN 14399-2.

Clamp lengths and grip lengths for the bolting assemblies are specified in the normative Annex A.

2 Normative references

The following documents, in whole or in part, are normatively referenced in this document and are indispensable for its application. For dated references, only the edition cited applies. For undated references, the latest edition of the referenced document (including any amendments) applies.

EN 14399-1, *High-strength structural bolting assemblies for preloading — Part 1: General requirements*

EN 14399-2, *High-strength structural bolting assemblies for preloading — Part 2: Suitability for preloading*

EN 14399-5, *High-strength structural bolting assemblies for preloading — Part 5: Plain washers*

EN 14399-6, *High-strength structural bolting assemblies for preloading — Part 6: Plain chamfered washers*

EN 26157-1, *Fasteners - Surface discontinuities — Part 1: Bolts, screws and studs for general requirements (ISO 6157-1:1988)*

EN ISO 898-1, *Mechanical properties of fasteners made of carbon steel and alloy steel — Part 1: Bolts, screws and studs with specified property classes — Coarse thread and fine pitch thread (ISO 898-1)*

EN ISO 898-2, *Mechanical properties of fasteners made of carbon steel and alloy steel — Part 2: Nuts with specified property classes — Coarse thread and fine pitch thread (ISO 898-2)*

1) f_{ub} is the nominal tensile strength (R_m) and A_s is the nominal stress area of the bolt.

EN ISO 3269, *Fasteners — Acceptance inspection (ISO 3269)*

EN ISO 4759-1, *Tolerances for fasteners — Part 1: Bolts, screws, studs and nuts — Product grades A, B and C (ISO 4759-1)*

EN ISO 6157-2, *Fasteners — Surface discontinuities — Part 2: Nuts (ISO 6157-2)*

EN ISO 10684, *Fasteners — Hot dip galvanized coatings (ISO 10684)*

ISO 261, *ISO general purpose metric screw threads — General plan*

ISO 965-2, *ISO general purpose metric screw threads — Tolerances — Part 2: Limits of sizes for general purpose external and internal screw threads — Medium quality*

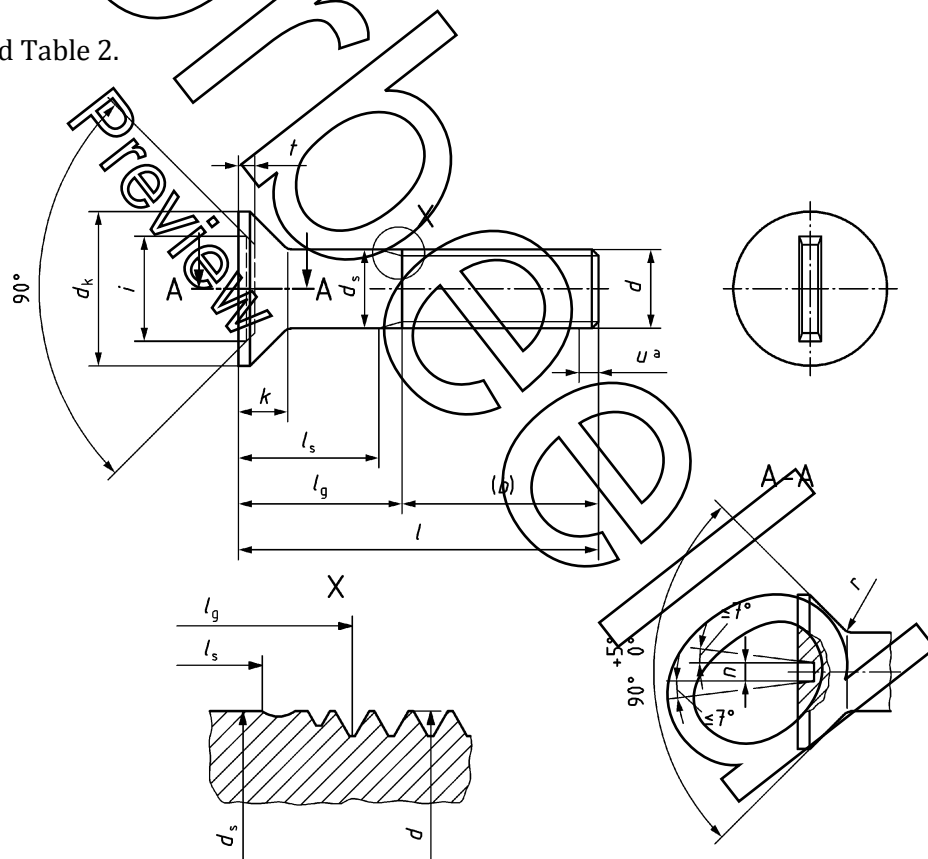
ISO 965-5, *ISO general purpose metric screw threads — Tolerances — Part 5: Limits of sizes for internal screw threads to mate with hot-dip galvanized external screw threads with maximum size of tolerance position h before galvanizing*

ISO 3508, *Thread run-outs for fasteners with thread in accordance with ISO 261 and ISO 262*

3 Bolts

3.1 Dimensions of bolts

See Figure 1 and Table 2.



a incomplete thread $u \leq 2P$

Figure 1 — Dimensions of bolts

Bestelformulier

NEN

Stuur naar:

NEN Standards Products & Services
t.a.v. afdeling Klantenservice
Antwoordnummer 10214
2600 WB Delft

NEN Standards Products & Services

Postbus 5059
2600 GB Delft

Vlinderweg 6
2623 AX Delft

T (015) 2 690 390
F (015) 2 690 271

www.nen.nl/normshop

Ja, ik bestel

__ ex. NEN-EN 14399-7:2015 Ontw. en Hoge-sterkte bevestigingsmiddelen € 29.64
voor constructieve toepassingen en geschikt voor voorspanning - Deel 7:
Systeem HR - Verzonken kopbout- en moergarnituren

Wilt u deze norm in PDF-formaat? Deze bestelt u eenvoudig via
www.nen.nl/normshop

Gratis e-mailnieuwsbrieven

Wilt u op de hoogte blijven van de laatste ontwikkelingen op het gebied van normen, normalisatie en regelgeving? Neem dan een gratis abonnement op een van onze e-mailnieuwsbrieven. www.nen.nl/nieuwsbrieven

Retourneren

Fax: (015) 2 690 271
E-mail: klantenservice@nen.nl
Post: NEN Standards Products & Services,
t.a.v. afdeling Klantenservice
Antwoordnummer 10214,
2600 WB Delft
(geen postzegel nodig).

Gegevens

Bedrijf / Instelling

T.a.v. O M O V

E-mail

Klantnummer NEN

Uw ordernummer BTW nummer

Postbus / Adres

Postcode Plaats

Telefoon Fax

Factuuradres (indien dit afwijkt van bovenstaand adres)

Postbus / Adres

Postcode Plaats

Datum Handtekening

Voorwaarden

- De prijzen zijn geldig tot 31 december 2016, tenzij anders aangegeven.
- Alle prijzen zijn excl. btw, verzend- en handelingskosten en onder voorbehoud bij o.m. ISO- en IEC-normen.
- Bestelt u via de normshop een pdf, dan betaalt u geen handeling en verzendkosten.
- Meer informatie: telefoon (015) 2 690 391, dagelijks van 8.30 tot 17.00 uur.
- Wijzigingen en typfouten in teksten en prijsinformatie voorbehouden.
- U kunt onze algemene voorwaarden terugvinden op: www.nen.nl/leveringsvoorwaarden.