

---

---

**Dentistry — Test methods for  
machining accuracy of computer-  
aided milling machines**

*Médecine bucco-dentaire — Méthodes d'essai pour l'exactitude  
d'usinage des fraiseuses à commande numérique*

Preview

Dit document mag slechts op een stand-alone PC worden geïnstalleerd. Gebruik op een netwerk is alleen toestaan als een aanvullende licentieovereenkomst voor netwerkgebruik met NEN is afgesloten. This document may only be used on a stand-alone PC. Use in a network is only permitted when a supplementary license agreement for us in a network with NEN has been concluded.



Reference number  
ISO/TR 18845:2017(E)

© ISO 2017

Copyright  
Preview



**COPYRIGHT PROTECTED DOCUMENT**

© ISO 2017, Published in Switzerland

All rights reserved. Unless otherwise specified, no part of this publication may be reproduced or utilized otherwise in any form or by any means, electronic or mechanical, including photocopying, or posting on the internet or an intranet, without prior written permission. Permission can be requested from either ISO at the address below or ISO's member body in the country of the requester.

ISO copyright office  
Ch. de Blandonnet 8 • CP 401  
CH-1214 Vernier, Geneva, Switzerland  
Tel. +41 22 749 01 11  
Fax +41 22 749 09 47  
copyright@iso.org  
www.iso.org

# Contents

	Page
Foreword.....	iv
Introduction.....	v
<b>1 Scope</b> .....	<b>1</b>
<b>2 Normative references</b> .....	<b>1</b>
<b>3 Terms and definitions</b> .....	<b>1</b>
<b>4 Recommendations</b> .....	<b>1</b>
<b>5 Test methods</b> .....	<b>1</b>
5.1 Target restorations.....	1
5.2 Apparatus.....	2
5.3 Preparation of three-dimensional data.....	2
5.4 Machining of restorations.....	6
5.5 Evaluation of accuracy.....	7
5.5.1 General.....	7
5.5.2 Class II inlay.....	7
5.5.3 Crown.....	9
5.5.4 Four-unit bridge.....	11
<b>6 Test report</b> .....	<b>12</b>
<b>7 Information</b> .....	<b>13</b>
<b>Annex A (informative) Flow chart of test method</b> .....	<b>14</b>
<b>Annex B (informative) Test methods using coordinate measuring machine (CMM)</b> .....	<b>15</b>
<b>Annex C (informative) Contents of test report</b> .....	<b>24</b>
<b>Bibliography</b> .....	<b>28</b>

## Foreword

ISO (the International Organization for Standardization) is a worldwide federation of national standards bodies (ISO member bodies). The work of preparing International Standards is normally carried out through ISO technical committees. Each member body interested in a subject for which a technical committee has been established has the right to be represented on that committee. International organizations, governmental and non-governmental, in liaison with ISO, also take part in the work. ISO collaborates closely with the International Electrotechnical Commission (IEC) on all matters of electrotechnical standardization.

The procedures used to develop this document and those intended for its further maintenance are described in the ISO/IEC Directives, Part 1. In particular the different approval criteria needed for the different types of ISO documents should be noted. This document was drafted in accordance with the editorial rules of the ISO/IEC Directives, Part 2 (see [www.iso.org/directives](http://www.iso.org/directives)).

Attention is drawn to the possibility that some of the elements of this document may be the subject of patent rights. ISO shall not be held responsible for identifying any or all such patent rights. Details of any patent rights identified during the development of the document will be in the Introduction and/or on the ISO list of patent declarations received (see [www.iso.org/patents](http://www.iso.org/patents)).

Any trade name used in this document is information given for the convenience of users and does not constitute an endorsement.

For an explanation on the voluntary nature of standards, the meaning of ISO specific terms and expressions related to conformity assessment, as well as information about ISO's adherence to the World Trade Organization (WTO) principles in the Technical Barriers to Trade (TBT) see the following URL: [www.iso.org/iso/foreword.html](http://www.iso.org/iso/foreword.html).

This document was prepared by Technical Committee ISO/TC 106, *Dentistry*, Subcommittee SC 9, *Dental CAD/CAD systems*.

## Introduction

Dental CAD/CAM systems have been successfully used for the fabrication of indirect dental restorations such as inlays, crowns and bridges. The accuracy of these restorations is one of the most important factors for their clinical success. This document provides standardized test methods to evaluate the machining accuracy of computer-aided milling machines which are used as a part of dental CAD/CAM systems and the information to be provided by the manufacturer. A flow chart of test method is shown in [Annex A](#).

There is another method to evaluate accuracy of the target restoration(s) using coordinate measuring machine (CMM) and software. Test methods using CMM are shown in [Annex B](#).

Copyright  
Preview

Voorbeeld  
Preview

# Dentistry — Test methods for machining accuracy of computer-aided milling machines

## 1 Scope

This document specifies the test methods to evaluate the machining accuracy of computer-aided milling machines as a part of dental CAD/CAM systems, which fabricate dental restorations, e.g. inlays, crowns and bridges.

## 2 Normative references

The following documents are referred to in the text in such a way that some or all of their content constitutes requirements of this document. For dated references, only the edition cited applies. For undated references, the latest edition of the referenced document (including any amendments) applies.

ISO 1942, *Dentistry — Vocabulary*

ISO 18739, *Dentistry — Vocabulary of process chain for CAD/CAM systems*

## 3 Terms and definitions

For the purposes of this document, the terms and definitions given in ISO 1942, ISO 18739 and the following apply.

ISO and IEC maintain terminological databases for use in standardization at the following addresses:

- IEC Electropedia: available at <http://www.electropedia.org/>
- ISO Online browsing platform: available at <http://www.iso.org/obp>

### 3.1

#### **computer-aided milling machine**

computer-aided machining device designed for subtractive manufacturing of dental prostheses using rotary instruments for cutting and grinding

## 4 Recommendations

The accuracy of target restoration(s) should be evaluated using the test methods described in [Clause 5](#). The test method and its results should be provided in the instruction for use, the technical manual or other means. When the machining accuracy is affected by the material, appropriate material(s) should be tested. Testing should be performed on each material type that the manufacturer indicates for use by the device.

## 5 Test methods

### 5.1 Target restorations

Three types of restorations, a) Class II inlay, b) crown and c) four-unit bridge, are the targets of this document. Choose the type(s) following the applicable restoration(s) specified by the manufacturer. If any of the three restorations is not specified as applicable by the manufacturer, this restoration

is eliminated from the target. In other words, the fabrication of the restoration(s) and the accuracy evaluation are carried out only for the applicable restoration(s) specified by the manufacturer.

NOTE This test method is designed adopting the same principle as the examination method of clinical marginal adaptation. The clinical adaptation is examined checking the discrepancy between the restoration and the cavity margin or between it and the shoulder margin of abutment. The metal die for crown and four-unit bridge is used as same as ISO 12836.

## 5.2 Apparatus

Two types of metal dies given in [Figure 1](#) (Class II inlay) and [Figure 2](#) (crown and four-unit bridge dies) are used both for the preparation of three-dimensional data (manufacturing data set) and the evaluation of the accuracy of restorations. As shown in [Figure 1](#) and [Figure 2](#), these dies consist of a non-malleable metal die and one or more removable structure(s) used for the evaluation of accuracy. Each die should be measured using a measuring device with accuracy of  $\pm 2 \mu\text{m}$  to confirm the specified shape and dimensions. The measured data are used to prepare the three-dimensional data (see [5.3](#)).

The diameter of the removable occlusal part should be not less than the diameter of abutment and the difference of diameter should be not more than  $10 \mu\text{m}$ .

The surface roughness ( $S_a$ ) of the die, excepting the surfaces which do not come in contact with the test specimens/machined restorations, should be less than  $2 \mu\text{m}$ . Refer to ISO 25178-2 and other parts for test methods.

If a mark for reference point is necessary, a groove and/or a ridge may be placed on the part, but should be placed so as to not influence the evaluation of the results according to [5.5](#).

The shapes and sizes of test specimen of the crown and the bridge should conform to [Figure 3](#) (crown) and [Figure 4](#) (bridge). One proximal-side of crown and bridge should have a flat plane to orient their position.

NOTE 1 An example of the machining device to fabricate the dies is Vertical Center NEXUS 410B<sup>1)</sup>.

NOTE 2 Coordinate measuring machine (CMM) can be useful to measure the size of die. An example of a CMM is America Strato-Apex 574<sup>2)</sup>.

## 5.3 Preparation of three-dimensional data

To fabricate the target restorations, a design data set (STL data) for each of the restorations should be prepared. This design data set should then be processed by the CAM software to prepare the manufacturing data set. The design data set should not be modified by the CAM software.

The dimensions of any surfaces in contact with the die surfaces are obtained from the measuring process in [5.2](#). Other dimensions are determined from [Figure 3](#) and [Figure 4](#).

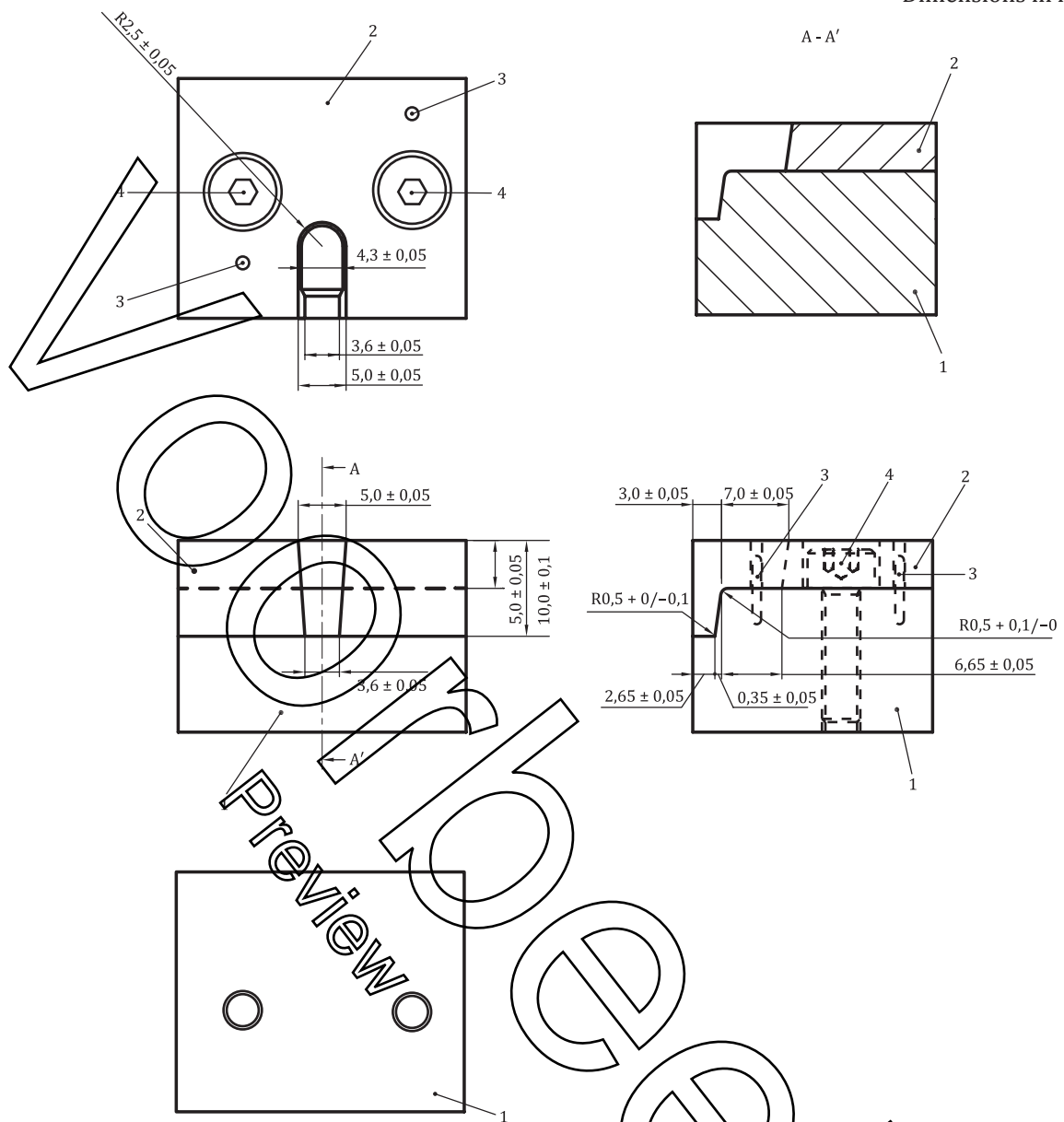
The design data set should be prepared to ensure that the restoration comes in contact with the die without an allowance for cement space.

1) Vertical Center NEXUS 410B is an example of a suitable product available commercially. This information is given for the convenience of users of this document and does not constitute an endorsement by ISO of this product.

2) America Strato-Apex 574 is an example of a suitable product available commercially. This information is given for the convenience of users of this document and does not constitute an endorsement by ISO of this product.



Dimensions in millimetres



**Key**

- 1 metal die
- 2 removable part
- 3 positioning pin
- 4 fixing screw

**Figure 1 — Die for class II inlay specimen**

# Bestelformulier

# NEN

## Stuur naar:

NEN Standards Products & Services  
t.a.v. afdeling Klantenservice  
Antwoordnummer 10214  
2600 WB Delft

## NEN Standards Products & Services

Postbus 5059  
2600 GB Delft

Vlinderweg 6  
2623 AX Delft

T (015) 2 690 390  
F (015) 2 690 271

[www.nen.nl/normshop](http://www.nen.nl/normshop)

## Ja, ik bestel

\_\_ ex. ISO/TR 18845:2017 en

€ 114.67

**Wilt u deze norm in PDF-formaat? Deze bestelt u eenvoudig via [www.nen.nl/normshop](http://www.nen.nl/normshop)**

### Gratis e-mailnieuwsbrieven

Wilt u op de hoogte blijven van de laatste ontwikkelingen op het gebied van normen, normalisatie en regelgeving? Neem dan een gratis abonnement op een van onze e-mailnieuwsbrieven. [www.nen.nl/nieuwsbrieven](http://www.nen.nl/nieuwsbrieven)

### Retourneren

Fax: (015) 2 690 271  
E-mail: [klantenservice@nen.nl](mailto:klantenservice@nen.nl)  
Post: NEN Standards Products & Services,  
t.a.v. afdeling Klantenservice  
Antwoordnummer 10214,  
2600 WB Delft  
(geen postzegel nodig).

## Gegevens

Bedrijf / Instelling

T.a.v.  O M O V

E-mail

Klantnummer NEN

Uw ordernummer  BTW nummer

Postbus / Adres

Postcode  Plaats

Telefoon  Fax

**Factuuradres** (indien dit afwijkt van bovenstaand adres)

Postbus / Adres

Postcode  Plaats

Datum  Handtekening

### Voorwaarden

- De prijzen zijn geldig tot 31 december 2016, tenzij anders aangegeven.
- Alle prijzen zijn excl. btw, verzend- en handelingskosten en onder voorbehoud bij o.m. ISO- en IEC-normen.
- Bestelt u via de normshop een pdf, dan betaalt u geen handeling en verzendkosten.
- Meer informatie: telefoon (015) 2 690 391, dagelijks van 8.30 tot 17.00 uur.
- Wijzigingen en typfouten in teksten en prijsinformatie voorbehouden.
- U kunt onze algemene voorwaarden terugvinden op: [www.nen.nl/leveringsvoorwaarden](http://www.nen.nl/leveringsvoorwaarden).