

norm**NEN-EN 13832-3**

Schoeisel voor de bescherming tegen chemicaliën - Deel 3: Eisen voor langdurig contact met chemicaliën

Publicatie uitsluitend voor commentaar

Footwear protecting against chemicals - Part 3: Requirements for prolonged contact with chemicals

augustus 2017
ICS 13.340.50

Commentaar vóór 2017-09-19

Vervangt NEN-EN 13832-3:2010 Ontw. Zal vervangen NEN-EN 13832-3:2006

Als Europees normontwerp is gepubliceerd: prEN 13832-3:2017,IDT

Definitief vastgestelde normen zullen als Nederlandse norm gelden. Daarom wordt dit normontwerp in Nederland voor commentaar gepubliceerd. Op het ontwerp ingebracht commentaar zal aan de bevoegde normcommissie worden voorgelegd die hiermee rekening zal houden bij de bepaling van de Nederlandse stem. Indien er geen bezwaar bij NEN wordt gebracht, kan dat leiden tot ongewijzigde definitieve vaststelling van het ontwerp als norm.

Van Europese normen bestaan drie officiële versies: Engels, Frans en Duits. Voor Nederland zal de Engelse versie gelden. Daarnaast kan er gekozen worden voor een andere geautoriseerde versie in het Nederlands.

Normcommissie 302094 "Persoonlijke beschermingsmiddelen"



THIS PUBLICATION IS COPYRIGHT PROTECTED

DEZE PUBLICATIE IS AUTEURSRECHTELIJK BESCHERMD

Apart from exceptions provided by the law, nothing from this publication may be duplicated and/or published by means of photocopy, microfilm, storage in computer files or otherwise, which also applies to full or partial processing, without the written consent of the Royal Netherlands Standardization Institute.

The Royal Netherlands Standardization Institute shall, with the exclusion of any other beneficiary, collect payments owed by third parties for duplication and/or act in and out of law, where this authority is not transferred or falls by right to the Reproduction Rights Foundation.

Auteursrecht voorbehouden. Behoudens uitzondering door de wet gesteld mag zonder schriftelijke toestemming van het Koninklijk Nederlands Normalisatie-instituut niets uit deze uitgave worden verveelvoudigd en/of openbaar gemaakt door middel van fotokopie, microfilm, opslag in computerbestanden of anderszins, hetgeen ook van toepassing is op gehele of gedeeltelijke bewerking.

Het Koninklijk Nederlands Normalisatie-instituut is met uitsluiting van ieder ander gerechtigd de door derden verschuldigde vergoedingen voor verveelvoudiging te innen en/of daartoe in en buiten rechte op te treden, voor zover deze bevoegdheid niet is overgedragen c.q. rechtens toekomt aan de Stichting Reprorecht.

Although the utmost care has been taken with this publication, errors and omissions cannot be entirely excluded. The Royal Netherlands Standardization Institute and/or the members of the committees therefore accept no liability, not even for direct or indirect damage, occurring due to or in relation with the application of publications issued by the Royal Netherlands Standardization Institute.

Hoewel bij deze uitgave de uiterste zorg is nagestreefd, kunnen fouten en onvolledigheden niet geheel worden uitgesloten. Het Koninklijk Nederlands Normalisatie-instituut en/of de leden van de commissies aanvaarden derhalve geen enkele aansprakelijkheid, ook niet voor directe of indirecte schade, ontstaan door of verband houdend met toepassing van door het Koninklijk Nederlands Normalisatie-instituut gepubliceerde uitgaven.

Voorbeeld
Preview

EUROPEAN STANDARD
NORME EUROPÉENNE
EUROPÄISCHE NORM

DRAFT
prEN 13832-3

July 2017

ICS 13.340.50

Will supersede EN 13832-3:2006

English Version

Footwear protecting against chemicals - Part 3: Requirements for prolonged contact with chemicals

Chaussure protégeant contre les produits chimiques -
Partie 3 : Exigences pour les contacts prolongés avec
les produits chimiques

Schuhe zum Schutz gegen Chemikalien - Teil 3:
Anforderungen für anhaltenden Kontakt mit
Chemikalien

This draft European Standard is submitted to CEN members for enquiry. It has been drawn up by the Technical Committee CEN/TC 161.

If this draft becomes a European Standard, CEN members are bound to comply with the CEN/CENELEC Internal Regulations which stipulate the conditions for giving this European Standard the status of a national standard without any alteration.

This draft European Standard was established by CEN in three official versions (English, French, German). A version in any other language made by translation under the responsibility of a CEN member into its own language and notified to the CEN-CENELEC Management Centre has the same status as the official versions.

CEN members are the national standards bodies of Austria, Belgium, Bulgaria, Croatia, Cyprus, Czech Republic, Denmark, Estonia, Finland, Former Yugoslav Republic of Macedonia, France, Germany, Greece, Hungary, Iceland, Ireland, Italy, Latvia, Lithuania, Luxembourg, Malta, Netherlands, Norway, Poland, Portugal, Romania, Serbia, Slovakia, Slovenia, Spain, Sweden, Switzerland, Turkey and United Kingdom.

Recipients of this draft are invited to submit, with their comments, notification of any relevant patent rights of which they are aware and to provide supporting documentation.

Warning : This document is not a European Standard. It is distributed for review and comments. It is subject to change without notice and shall not be referred to as a European Standard.



EUROPEAN COMMITTEE FOR STANDARDIZATION
COMITÉ EUROPÉEN DE NORMALISATION
EUROPÄISCHES KOMITEE FÜR NORMUNG

CEN-CENELEC Management Centre: Avenue Marnix 17, B-1000 Brussels

Contents

Page

| | |
|---|-----------|
| European foreword..... | 3 |
| 1 Scope..... | 4 |
| 2 Normative references..... | 4 |
| 3 Terms and definitions..... | 4 |
| 4 Design..... | 4 |
| 5 Classification..... | 5 |
| 6 Requirements..... | 6 |
| 6.1 Basic requirements..... | 6 |
| 6.2 Requirements for footwear for prolonged contact with chemicals,..... | 7 |
| 6.3 Additional requirements for footwear for prolonged contact with chemicals..... | 11 |
| 7 Marking..... | 12 |
| 8 Instructions for use supplied by the manufacturer..... | 13 |
| 8.1 General..... | 13 |
| 8.2 Instructions for use and related information..... | 14 |
| 8.3 Electrical properties..... | 16 |
| 8.4 Properties of protection against chemicals..... | 16 |
| 8.5 Insocks..... | 16 |
| 8.6 Perforation resistance..... | 16 |
| 8.7 Slip resistance..... | 16 |
| Annex A (informative) Slip resistance..... | 17 |
| A.1 Introduction..... | 17 |
| A.2 Explanation of EN ISO 13287 and marking codes SRA, SRB or SRC..... | 17 |
| A.3 Additional testing..... | 18 |
| A.4 Factors influencing footwear performance..... | 18 |
| Annex ZA (informative) Relationship between this European Standard and the essential requirements of EU Directive 89/686/ EEC Personal protective equipment..... | 20 |
| Bibliography..... | 21 |

European foreword

This document (prEN 13832-3:2017) has been prepared by Technical Committee CEN/TC 161 “Foot and leg protectors”, the secretariat of which is held by BSI.

This document is currently submitted to the CEN Enquiry.

This document will supersede EN 13832-3:2006.

This document has been prepared under a mandate given to CEN by the European Commission and the European Free Trade Association, and supports essential requirements of EU Directive(s).

For relationship with EU Directive(s), see informative Annex ZA, which is an integral part of this document.

prEN 13832:2017, *Footwear protecting against chemicals*, is published in three parts:

- Part 1: *Terminology and test methods*
- Part 2: *Requirements for limited contact with chemicals*
- Part 3: *Requirements for prolonged contact with chemicals*

This standard is intended for use in conjunction with EN ISO 20345:2011, EN ISO 20346:2014 and EN ISO 20347:2012.

Preview
prEN 13832-3

prEN 13832-3:2017 (E)

1 Scope

This European Standard specifies requirements for footwear constructed to be resistant to prolonged contact with specific chemicals.

The following risks are covered, degradation by chemical and permeation of chemicals.

2 Normative references

The following documents are referred to in the text in such a way that some or all of their content constitutes requirements of this document. For dated references, only the edition cited applies. For undated references, the latest edition of the referenced document (including any amendments) applies.

EN ISO 868:2003, *Plastics and ebonite - Determination of indentation hardness by means of a durometer (Shore hardness) (ISO 868:2003)*

ISO 7000:2014, *Graphical symbols for use on equipment - Index and synopsis*

EN ISO 20344:2011, *Personal protective equipment - Test methods for footwear (ISO 20344:2011)*

prEN 13832-1:2017, *Footwear protecting against chemicals - Part 1: Terminology and test methods*

EN ISO 20345:2011, *Personal protective equipment - Safety footwear (ISO 20345:2011)*

EN ISO 20346:2014, *Personal protective equipment - Protective footwear (ISO 20346:2014)*

EN ISO 20347:2012, *Personal protective equipment - Occupational footwear (ISO 20347:2012)*

EN 50321:1999, *Electrically insulating footwear for working on low voltage installations*

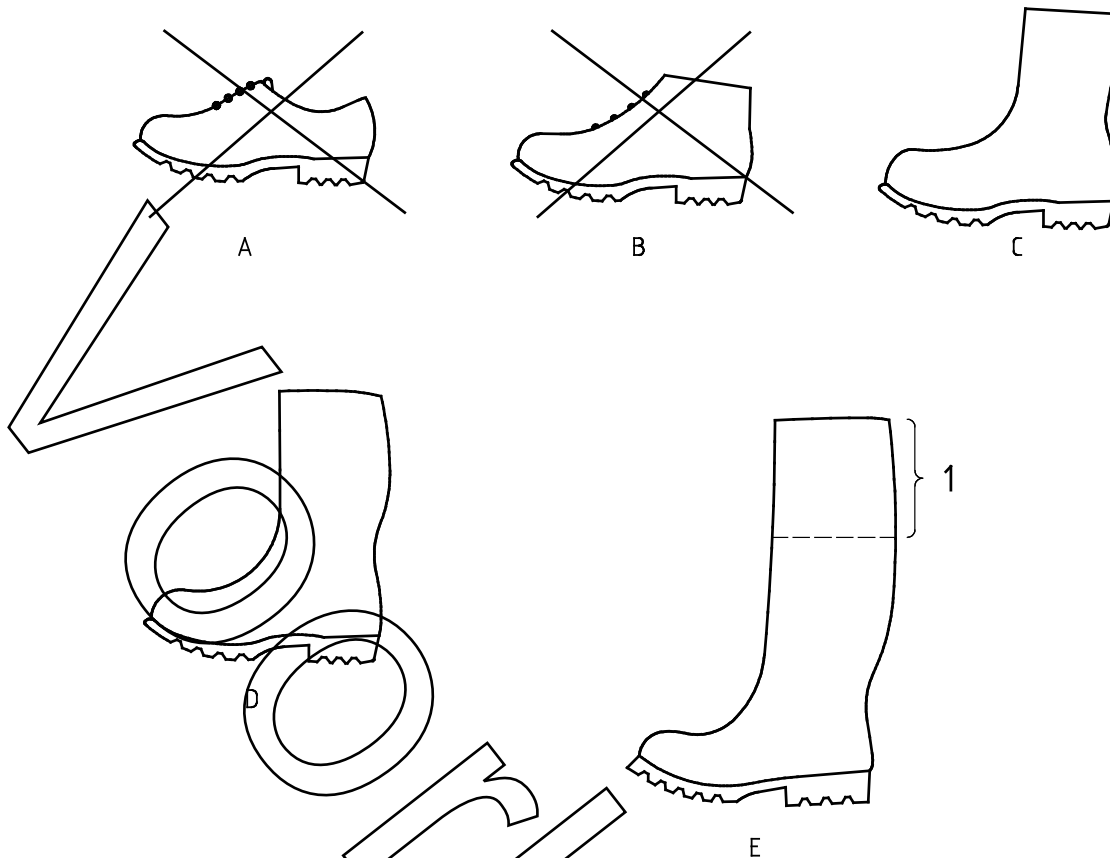
3 Terms and definitions

For the purposes of this document, the terms and definitions given in prEN 13832-1:2017, EN ISO 20345:2011 and the following apply.

3.1 footwear for prolonged contact with chemicals
footwear designed and manufactured to protect the wearer from contact with chemicals. The contact can be continuous or intermittent. Prolonged means that it can be more than one hour in permanent contact

4 Design

For footwear for prolonged contact with chemicals, only designs C, D or E in Figure 1 shall be used.



Key

1 Variable extension that can be adapted to the wearer

- A Low shoe
- B Ankle boot
- C Half knee boot
- D Knee height boot
- E Thigh boot

NOTE Design E is a knee-height boot (design D) equipped with a thin impermeable material that extends the upper and that can be cut to adapt the boot to the wearer.

Figure 1 — Designs of footwear

5 Classification

Footwear for prolonged contact with chemicals shall be classified in accordance with Table 1.

Table 1 — Classification of footwear

| Classification | Description |
|----------------|---|
| II | All-rubber (i.e. entirely vulcanised) and all-polymeric footwear (i.e. entirely moulded) footwear |

6 Requirements

6.1 Basic requirements

Footwear for prolonged contact with chemicals shall conform to the requirements specified in Table 2.

Footwear for prolonged contact with chemicals may or may not include a toe cap. The choice shall be made from one of the three columns (EN ISO 20345:2011, EN ISO 20346:2014 or EN ISO 20347:2012) in Table 2.

Table 2 – Basic requirements for footwear for prolonged contact with chemicals

| Requirements | | | Reference | | | | Classification |
|----------------|---|-----------------------------|-------------------|-------------------|-------------------|-------------------|----------------|
| | | | EN ISO 20345:2011 | EN ISO 20346:2014 | EN ISO 20347:2012 | prEN 13832-3:2017 | II |
| General | Whole footwear | Designs and classifications | | | | 4 and 5 | X |
| | | Height of upper | 5.2.1 | 5.2.1 | 5.2.1 | | X |
| | | Specific ergonomic features | 5.3.4 | 5.3.4 | 5.3.3 | | X |
| | | Leakproofness | 5.3.3 | 5.3.3 | 5.3.2 | | X |
| | | Water resistance | 6.2.5 | 6.2.5 | 6.2.5 | | X |
| | Seat region | Designs C and D (Figure 1) | 5.2.2 | 5.2.2 | 5.2.2 | | X |
| | | Design E (Figure 1) | 5.2.2 | 5.2.2 | 5.2.2 | | X |
| Whole footwear | Sole performance | Construction | 5.3.1.1 | 5.3.1.1 | 5.3.1.1 | | |
| | | Slip resistance | | | | scope | X |
| | Toe Protection | General | 5.3.2.1 | 5.3.2.1 | | | X |
| | | Toe cap length | 5.3.2.2 | 5.3.2.2 | | | X |
| | | Impact resistance | 5.3.2.3 | 5.3.2.3 | | | X |
| | | Compression resistance | 5.3.2.4 | 5.3.2.4 | | | X |
| | | Toecap behaviour | 5.3.2.5 | 5.3.2.5 | | | X |
| | footwear for prolonged contact with chemicals | | | | | 6.2.1 | X |
| Upper | General | 5.4.1 | 5.4.1 | 5.4.1 | | X | |
| | Thickness | 5.4.2 | 5.4.2 | 5.4.2 | | X | |
| | Tear strength | 5.4.3 | 5.4.3 | 5.4.3 | | X | |
| | Tensile properties | 5.4.4 | 5.4.4 | 5.4.4 | | X | |
| | Flexing resistance | 5.4.5 | 5.4.5 | 5.4.5 | | X | |
| Insole/insocks | See Table 3 | | | | | | |
| Outsole | Thickness | 5.8.1 | 5.8.1 | 5.8.1 | | X | |
| | Tear strength | 5.8.2 | 5.8.2 | 5.8.2 | | X | |
| | Abrasion resistance | | | | 6.2.2 | X | |
| | Flexing resistance | 5.8.4 | 5.8.4 | 5.8.4 | | X | |
| | Interlayer bond strength | 5.8.6 | 5.8.6 | 5.8.6 | | 0 | |

The applicability of a requirement to a particular classification is indicated in the table by the following.
 X indicates that the requirement shall be met. In some cases the requirement relates only to particular materials within the classification, e.g. pH value of leather components. This does not mean that other materials are precluded from use.
 O indicates that if the component part exists, the requirement shall be met.
 NOTE The absence of X or O indicates that no requirement is made.

Table 3 — Basic requirements for insoles and/or insocks

| Options | | Component to be assessed | Requirements to fulfil in EN ISO 20345:2011/20346:2014/20347:2012 | | | | | |
|---------|---|--|---|------------|-----------------------------------|------------------|---------------------|------------------|
| | | | Thickness 5.7.1 | pH * 5.7.2 | Water absorption desorption 5.7.3 | Abrasion 5.7.4.1 | Chromium VI * 5.7.5 | Abrasion 5.7.4.2 |
| 1 | No insole or if present not fulfilling the requirements | Insock | X | X | X | | X | X |
| 2 | No insock | Insole | X | X | X | X | X | |
| | Seat sock present | | | | | | | |
| 3 | Insole present | Full insock non-removable | X | | X | | | |
| | | Insock and insole together | | X | | | X | X |
| 4 | Insole present | Full insock, removable and water-permeable ♦ | X | X | X | X | X | |
| | | Insock | | X | | | X | X |
| 5 | Insole present | Full insock, removable, not water-permeable | X | X | X | X | X | |
| | | Insock | | X | X | | X | X |

NOTE For removable insocks see 8.5.
 X indicates that the requirement shall be met.
 ♦ indicates a water permeable insock which, when tested in accordance with EN ISO 20344:2011, 7.2, lets water through in 60 s or less.
 * Indicates those requirements that are only for leather.

6.2 Requirements for footwear for prolonged contact with chemicals,

6.2.1 Resistance of whole footwear

6.2.1.1 General

At least 3 test chemicals shall be taken from the list given in Table 4. Other testing chemicals could be used depending on the application of the footwear.

Bestelformulier

NEN

Stuur naar:

NEN Standards Products & Services
t.a.v. afdeling Klantenservice
Antwoordnummer 10214
2600 WB Delft

NEN Standards Products & Services

Postbus 5059
2600 GB Delft

Vlinderweg 6
2623 AX Delft

T (015) 2 690 390
F (015) 2 690 271

www.nen.nl/normshop

Ja, ik bestel

__ ex. NEN-EN 13832-3:2017 2e Ontw. en Schoeisel voor de bescherming tegen chemicaliën - Deel 3: Eisen voor langdurig contact met chemicaliën € 23.85

Wilt u deze norm in PDF-formaat? Deze bestelt u eenvoudig via www.nen.nl/normshop

Gratis e-mailnieuwsbrieven

Wilt u op de hoogte blijven van de laatste ontwikkelingen op het gebied van normen, normalisatie en regelgeving? Neem dan een gratis abonnement op een van onze e-mailnieuwsbrieven. www.nen.nl/nieuwsbrieven

Retourneren

Fax: (015) 2 690 271
E-mail: klantenservice@nen.nl
Post: NEN Standards Products & Services,
t.a.v. afdeling Klantenservice
Antwoordnummer 10214,
2600 WB Delft
(geen postzegel nodig).

Gegevens

Bedrijf / Instelling _____

T.a.v. _____ O M O V

E-mail _____

Klantnummer NEN _____

Uw ordernummer _____ BTW nummer _____

Postbus / Adres _____

Postcode _____ Plaats _____

Telefoon _____ Fax _____

Factuuradres (indien dit afwijkt van bovenstaand adres)

Postbus / Adres _____

Postcode _____ Plaats _____

Datum _____ Handtekening _____

Voorwaarden

- De prijzen zijn geldig tot 31 december 2016, tenzij anders aangegeven.
- Alle prijzen zijn excl. btw, verzend- en handelingskosten en onder voorbehoud bij o.m. ISO- en IEC-normen.
- Bestelt u via de normshop een pdf, dan betaalt u geen handeling en verzendkosten.
- Meer informatie: telefoon (015) 2 690 391, dagelijks van 8.30 tot 17.00 uur.
- Wijzigingen en typfouten in teksten en prijsinformatie voorbehouden.
- U kunt onze algemene voorwaarden terugvinden op: www.nen.nl/leveringsvoorwaarden.