
**Fine ceramics (advanced ceramics,
advanced technical ceramics) —
Mechanical properties of ceramic
composites at ambient temperature
in air atmospheric pressure —
Determination of tensile properties
of tubes**

*Céramiques techniques — Propriétés mécaniques des composites
céramiques à température ambiante et à pression atmosphérique —
Détermination des propriétés en traction de tubes*

Dit document mag slechts op een stand-alone PC worden geïnstalleerd. Gebruik op een netwerk is alleen toestaan als een aanvullende licentieovereenkomst voor netwerkgebruik met NEN is afgesloten. This document may only be used on a stand-alone PC. Use in a network is only permitted when a supplementary license agreement for us in a network with NEN has been concluded.

Preview



Copyrighted
Preview



COPYRIGHT PROTECTED DOCUMENT

© ISO 2018

All rights reserved. Unless otherwise specified, or required in the context of its implementation, no part of this publication may be reproduced or utilized otherwise in any form or by any means, electronic or mechanical, including photocopying, or posting on the internet or an intranet, without prior written permission. Permission can be requested from either ISO at the address below or ISO's member body in the country of the requester.

ISO copyright office
CP 401 • Ch. de Blandonnet 8
CH-1214 Vernier, Geneva
Phone: +41 22 749 01 11
Fax: +41 22 749 09 47
Email: copyright@iso.org
Website: www.iso.org

Published in Switzerland

Contents

	Page
Foreword	iv
1 Scope	1
2 Normative references	1
3 Terms and definitions	1
4 Principle	4
5 Apparatus	4
6 Tubular test specimens	8
6.1 Specimen specifications.....	8
6.1.1 General.....	8
6.1.2 Dimension.....	8
6.1.3 Geometry.....	8
6.1.4 Tolerances and variability.....	9
6.2 Specimen preparation.....	9
6.2.1 General.....	9
6.2.2 As-fabricated.....	10
6.2.3 Application-matched machining.....	10
6.2.4 Customary practices.....	10
6.2.5 Standard procedure.....	10
6.3 End collars.....	10
6.4 Test count and test specimens sampling.....	12
7 Test procedure	12
7.1 General.....	12
7.2 Test mode and rates.....	12
7.3 Testing technique.....	13
7.3.1 Measurement of test specimen dimensions.....	13
7.3.2 Instrumentation of test specimen.....	13
7.3.3 Test specimen mounting.....	13
7.3.4 Setting-up of strain measurement means.....	13
7.3.5 Measurements.....	14
7.3.6 Post-test analyses.....	15
7.4 Test validity.....	15
8 Calculation of results	15
8.1 Test specimen origin.....	15
8.2 Engineering stress and strain.....	16
8.3 Tensile strength.....	17
8.4 Strain at maximum tensile force.....	17
8.5 Proportionality ratio or pseudo-elastic modulus, elastic modulus.....	18
8.5.1 Stress-strain curves with a linear region.....	18
8.5.2 Nonlinear stress-strain curves.....	19
8.6 Poisson's ratio (optional).....	19
8.7 Statistics.....	19
9 Test report	20
9.1 General.....	20
9.2 Testing information.....	20
9.3 Test specimen and material.....	20
9.4 Equipment and test parameters.....	21
9.5 Test results.....	21
Annex A (informative) Gripping devices and load train couplers	22
Annex B (informative) Test specimen geometries	27
Bibliography	28

Foreword

ISO (the International Organization for Standardization) is a worldwide federation of national standards bodies (ISO member bodies). The work of preparing International Standards is normally carried out through ISO technical committees. Each member body interested in a subject for which a technical committee has been established has the right to be represented on that committee. International organizations, governmental and non-governmental, in liaison with ISO, also take part in the work. ISO collaborates closely with the International Electrotechnical Commission (IEC) on all matters of electrotechnical standardization.

The procedures used to develop this document and those intended for its further maintenance are described in the ISO/IEC Directives, Part 1. In particular the different approval criteria needed for the different types of ISO documents should be noted. This document was drafted in accordance with the editorial rules of the ISO/IEC Directives, Part 2 (see www.iso.org/directives).

Attention is drawn to the possibility that some of the elements of this document may be the subject of patent rights. ISO shall not be held responsible for identifying any or all such patent rights. Details of any patent rights identified during the development of the document will be in the Introduction and/or on the ISO list of patent declarations received (see www.iso.org/patents).

Any trade name used in this document is information given for the convenience of users and does not constitute an endorsement.

For an explanation on the voluntary nature of standards, the meaning of ISO specific terms and expressions related to conformity assessment, as well as information about ISO's adherence to the World Trade Organization (WTO) principles in the Technical Barriers to Trade (TBT) see the following URL: www.iso.org/iso/foreword.html.

This document was prepared by Technical Committee ISO/TC 206, *Fine ceramics*.

Fine ceramics (advanced ceramics, advanced technical ceramics) — Mechanical properties of ceramic composites at ambient temperature in air atmospheric pressure — Determination of tensile properties of tubes

1 Scope

This document specifies the conditions for the determination of tensile properties of ceramic matrix composite tubes with continuous fibre-reinforcement at ambient temperature in air atmospheric pressure. This document is specific to the tubular geometries since fibre architecture and specimen geometry factors are distinctly different in composite tubes than in flat specimens.

This document provides information on the uniaxial tensile properties and tensile stress-strain response such as tensile strength and strain, tensile elastic modulus and Poisson's ratio. The information may be used for material development, control of manufacturing (quality insurance), material comparison, characterization, reliability and design data generation for tubular components.

This document addresses, but is not restricted to, various suggested test piece fabrication methods. It applies primarily to ceramic and/or glass matrix composite tubes with a continuous fibrous-reinforcement: unidirectional (1D filament winding and tape lay-up), bi-directional (2D braid and weave) and tri-directional (xD, with $2 < x < 3$), loaded along the tube axis.

Values expressed in this document are in accordance with the International System of Units (SI).

NOTE In most cases, ceramic matrix composites to be used at high temperature in air are coated with an antioxidation coating.

2 Normative references

The following documents are referred to in the text in such a way that some or all of their content constitutes requirements of this document. For dated references, only the edition cited applies. For undated references, the latest edition of the referenced document (including any amendments) applies.

ISO 20507, *Fine ceramics (advanced ceramics, advanced technical ceramics) — Vocabulary*

ISO 7500-1, *Metallic materials — Calibration and verification of static uniaxial testing machines — Part 1: Tension/compression testing machines — Calibration and verification of the force-measuring system*

ISO 17161, *Fine ceramics (advanced ceramics, advanced technical ceramics) — Ceramic composites — Determination of the degree of misalignment in uniaxial mechanical tests*

ISO 9513, *Metallic materials — Calibration of extensometer systems used in uniaxial testing*

ISO 3611, *Geometrical product specifications (GPS) — Dimensional measuring equipment: Micrometers for external measurements — Design and metrological characteristics*

ASTM E2208-02, *Standard Guide for Evaluating Non-Contacting Optical Strain Measurement Systems*

3 Terms and definitions

For the purposes of this document, the terms and definitions given in ISO 20507 and the following apply.

ISO and IEC maintain terminological databases for use in standardization at the following addresses:

- ISO Online browsing platform: available at <https://www.iso.org/obp>
- IEC Electropedia: available at <http://www.electropedia.org/>

3.1 calibrated length

l
part of the test specimen that has uniform and minimum external diameter

3.2 gauge length

L_0
initial distance between reference points on the test specimen in the calibrated length

3.3 initial cross-section area

S_0
area of the test specimen within the calibrated length

3.4 effective cross-section area

$S_{0,eff}$
total area corrected by a factor, to account for the presence of an anti-oxidative protection

3.5 external diameter

d_o
outer distance through the centre of a tube from one side to the other

3.6 internal diameter

d_i
inner distance through the centre of a tube from one side to the other

3.7 longitudinal deformation

A
increase in the gauge length between reference points under a tensile force

3.8 longitudinal deformation under maximum tensile force

A_m
increase in the gauge length between reference points under maximum tensile force

3.9 tensile strain

ϵ_{zz}
relative change in the gauge length defined as the ratio A/L_0

3.10 tensile strain under maximum force

$\epsilon_{zz,m}$
relative change in the gauge length defined as the ratio A_m/L_0

3.11 circumferential strain

$\epsilon_{\theta\theta}$
relative change in circumferential direction in the gauge length

3.12 tensile stress

 σ

tensile force supported by the test specimen at any time in the test divided by the initial cross-section area (S_0)

3.13 effective tensile stress

 σ_{eff}

tensile force supported by the test specimen at any time in the test divided by the effective cross-section area ($S_{0,\text{eff}}$)

3.14 maximum tensile force

 F_m

highest recorded tensile force in a tensile test on the test specimen when tested to failure

3.15 tensile strength

 σ_m

ratio of the maximum tensile force to the initial cross-section area (S_0)

3.16 effective tensile strength

 $\sigma_{m,\text{eff}}$

ratio of the maximum tensile force to the effective cross-section area ($S_{0,\text{eff}}$)

3.17 proportionality ratio pseudo-elastic modulus

 E_p

slope of the initial linear section of the stress-strain curve

Note 1 to entry: Examination of the stress-strain curves for ceramic matrix composites allows definition of the following cases:

- a) Material with an initial linear domain in the stress-strain curve.

The proportionality ratio or pseudo-elastic modulus is termed the elastic modulus, E , in the single case where the linearity starts near the origin.

- b) Material with no-linear section in the stress-strain curve.

In this case only stress-strain couples can be fixed.

3.18 effective proportionality ratio effective pseudo-elastic modulus

 $E_{p,\text{eff}}$

slope of the linear section of the stress-strain curve, if any, when the effective tensile stress is used

3.19 Poisson's ratio

 $\nu_{\theta z}$

negative ratio of circumferential to axial strain

3.20 coordinate system

system used to determine location in space

Note 1 to entry: Cylindrical coordinates are adopted in the present document.

Note 2 to entry: The notations shown in [Figure 1](#) apply for space representation.

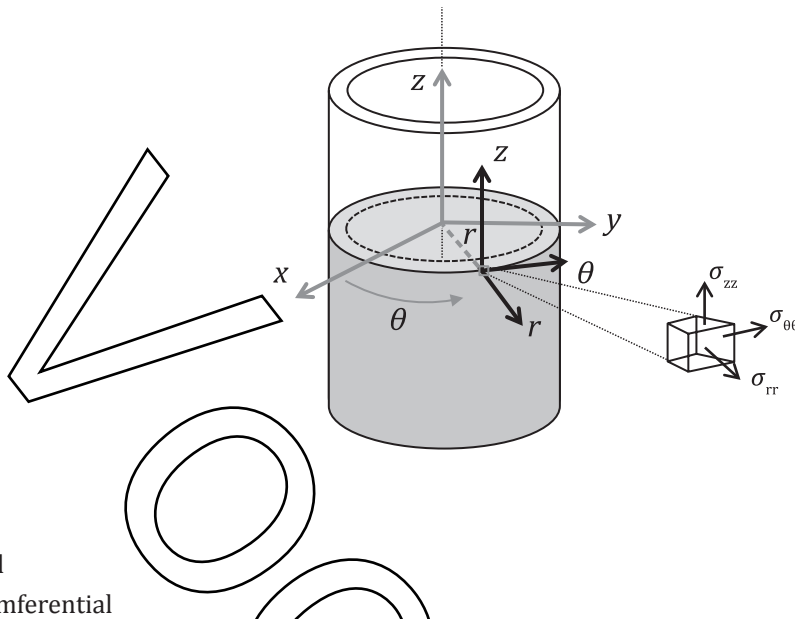


Figure 1 — Cylindrical coordinate system used for the CMC tubes

4 Principle

A prepared tubular test specimen of specified dimensions is loaded in monotonic uniaxial tension up to fracture. The test is performed at constant cross-head displacement, or constant strain (or constant loading rate). Both the applied force and resulting longitudinal strain are measured and recorded simultaneously. The uniaxial tensile strength and strain are determined from the maximum applied force, while the various other tensile properties are determined from the stress-strain response data.

Generally, the test is carried out under conditions of ambient temperature and environment.

NOTE 1 In uniaxial loading, the force is applied parallel to the tube axis. Monotonic refers to a continuous nonstop test rate with no reversals from test initiation to final fracture.

NOTE 2 The use of constant loading rate only gives a valid tensile curve when the behaviour is linear up to failure.

5 Apparatus

5.1 Test machine.

The test machine shall be equipped with a system for measuring the force applied to the tubular test specimen conforming to grade 1 or better in accordance with ISO 7500-1.

5.2 Test specimen gripping.

Various types of gripping device may be used to transmit the measured force applied by the testing machine to the tubular test specimen. It shall prevent the tubular test specimen from slipping.

The brittle nature of the matrices of continuous fibre ceramic composites (CFCCs) requires a uniform and continuous contact between the grip components and the gripped section of the tubular test specimen in order to minimize crack initiation and fracture in this area.

Gripping devices can be generally classified as those employing active grip interfaces and those employing passive grip interfaces that include gripping system with adhesive bonding or through a pin-loaded fixture. Examples, descriptions and designs for both the gripping types are discussed in [Annex A](#).

If an active grip interface system is used, the length of the grip section shall be long enough to develop sufficient friction force to transmit the tensile forces to the tubular test specimen. As a general rule, grip lengths are defined at least 1,5 times higher than the external diameter of the specimen. If the tubular test specimen is pulling out of the grips, thus failing to increase the clamping pressure, longer grip lengths might be needed.

To prevent crushing of the tubular test specimen by the lateral pressure and subsequent collapse of the tube wall, it is advisable to insert an end plug into the interior of the grip section of the tube specimen or to provide a suitable geometry for end collars (see [6.3](#)).

5.3 Load train couplers.

Various types of devices may be used to fix the active or passive grip interface assemblies to the testing machine. The load train couplers in conjunction with the type of gripping device play major roles in the alignment of the load train and extraneous bending imposed in the tubular test specimen; they can be generally classified as fixed and non-fixed and are discussed in [Annex A](#).

If each system type can be used, the load train configuration shall ensure that the load indicated by the load cell and the load experienced by the tubular test specimen are the same. The alignment shall be checked and documented in accordance with, for example, the procedure described in ISO 17161 adapted to the tubular geometry of specimen.

The maximum relative bending shall not exceed 5 % at an average strain of $5,10^{-4}$.

5.4 Strain measurement

5.4.1 General

Strain should be locally measured in order to avoid having to take into account the compliance of the machine. This may be by means of suitable extensometers, bonded resistance strain gauges or digital image correlation (DIC). If Poisson's ratio is to be determined, the tubular test specimen must be instrumented to measure strain in both longitudinal and circumferential directions.

5.4.2 Extensometers

Extensometers used for tensile testing of CFCC tubular test specimens shall be capable of continuously recording the longitudinal strain at test temperature. They shall be of class 1 in accordance with ISO 9513.

Extensometers with the highest gauge length are recommended (minimum of 25 mm required) and shall be centrally located in the mid region of the axial direction of the gauge section of the tubular test specimen.

If mechanical extensometers are used, the selected attachment should cause no damage to the specimen surface. In addition, the weight of the extensometers should be supported, so as not to introduce bending stresses in the tubular test specimen greater than that allowed in [5.3](#).

Extensometers should preferably be of a type that is capable of measuring elongation on two places of the tubular test specimen for averaging of strain and/or determination of in-situ relative bending. Care should be taken to correct for changes in calibration of the extensometer that may occur as a result of operating under conditions different from calibration.

Bestelformulier

Stuur naar:

NEN Standards Products & Services
t.a.v. afdeling Klantenservice
Antwoordnummer 10214
2600 WB Delft



NEN Standards Products & Services

Postbus 5059
2600 GB Delft

Vlinderweg 6
2623 AX Delft

T (015) 2 690 390
F (015) 2 690 271

www.nen.nl/normshop

Ja, ik bestel

__ ex. ISO 20323:2018 en

€ 114.67

Wilt u deze norm in PDF-formaat? Deze bestelt u eenvoudig via www.nen.nl/normshop

Gratis e-mailnieuwsbrieven

Wilt u op de hoogte blijven van de laatste ontwikkelingen op het gebied van normen, normalisatie en regelgeving? Neem dan een gratis abonnement op een van onze e-mailnieuwsbrieven. www.nen.nl/nieuwsbrieven

Gegevens

Bedrijf / Instelling

T.a.v. O M O V

E-mail

Klantnummer NEN

Uw ordernummer BTW nummer

Postbus / Adres

Postcode Plaats

Telefoon Fax

Factuuradres (indien dit afwijkt van bovenstaand adres)

Postbus / Adres

Postcode Plaats

Datum Handtekening

Retourneren

Fax: 015 2 690 271

E-mail: klantenservice@nen.nl

Post: NEN Standards Products & Services,

t.a.v. afdeling Klantenservice
Antwoordnummer 10214,
2600 WB Delft

(geen postzegel nodig).

Voorwaarden

- De prijzen zijn geldig tot 31 december 2018, tenzij anders aangegeven.
- Alle prijzen zijn excl. btw, verzend- en handelingskosten en onder voorbehoud bij o.m. ISO- en IEC-normen.
- Bestelt u via de normshop een pdf, dan betaalt u geen handeling en verzendkosten.
- Meer informatie: telefoon 015 2 690 391, dagelijks van 8.30 tot 17.00 uur.
- Wijzigingen en typfouten in teksten en prijsinformatie voorbehouden.
- U kunt onze algemene voorwaarden terugvinden op: www.nen.nl/leveringsvoorwaarden.