

**norm****NEN-EN 280-2****Hoogwerkers - Deel 2: Aanvullende veiligheidseisen voor hijsmiddelen bevestigd aan het hefmechanisme of het werkplatform**

Publicatie uitsluitend voor commentaar

Mobile elevating work platforms - Part 2: Additional safety requirements for load lifting appliances on the extending lifting structure and work platform

september 2018  
ICS 53.020.99

Commentaar vóór 2018-10-29

Zal vervangen NEN-EN 280:2013+A1:2015, Deels

Als Europees normontwerp is gepubliceerd: prEN 280-1:2018, IDT

Definitief vastgestelde normen zullen als Nederlandse norm gelden. Daarom wordt dit normontwerp in Nederland voor commentaar gepubliceerd. Op het ontwerp ingebracht commentaar zal aan de bevoegde normcommissie worden voorgelegd die hiermee rekening zal houden bij de bepaling van de Nederlandse stem. Indien er geen bezwaar bij NEN wordt gebracht, kan dat leiden tot ongewijzigde definitieve vaststelling van het ontwerp als norm.

Van Europese normen bestaan drie officiële versies: Engels, Frans en Duits. Voor Nederland zal de Engelse versie gelden. Daarnaast kan er gekozen worden voor een andere geautoriseerde versie in het Nederlands.

Normcommissie 345006 'Hefwerktuigen'



**THIS PUBLICATION IS COPYRIGHT PROTECTED**

**DEZE PUBLICATIE IS AUTEURSRECHTELIJK BESCHERMD**

Apart from exceptions provided by the law, nothing from this publication may be duplicated and/or published by means of photocopy, microfilm, storage in computer files or otherwise, which also applies to full or partial processing, without the written consent of the Royal Netherlands Standardization Institute.

The Royal Netherlands Standardization Institute shall, with the exclusion of any other beneficiary, collect payments owed by third parties for duplication and/or act in and out of law, where this authority is not transferred or falls by right to the Reproduction Rights Foundation.

Auteursrecht voorbehouden. Behoudens uitzondering door de wet gesteld mag zonder schriftelijke toestemming van het Koninklijk Nederlands Normalisatie-instituut niets uit deze uitgave worden verveelvoudigd en/of openbaar gemaakt door middel van fotokopie, microfilm, opslag in computerbestanden of anderszins, hetgeen ook van toepassing is op gehele of gedeeltelijke bewerking.

Het Koninklijk Nederlands Normalisatie-instituut is met uitsluiting van ieder ander gerechtigd de door derden verschuldigde vergoedingen voor verveelvoudiging te innen en/of daartoe in en buiten rechte op te treden, voor zover deze bevoegdheid niet is overgedragen c.q. rechtens toekomt aan de Stichting Reprorecht.

Although the utmost care has been taken with this publication, errors and omissions cannot be entirely excluded. The Royal Netherlands Standardization Institute and/or the members of the committees therefore accept no liability, not even for direct or indirect damage, occurring due to or in relation with the application of publications issued by the Royal Netherlands Standardization Institute.

Hoewel bij deze uitgave de uiterste zorg is nagestreefd, kunnen fouten en onvolledigheden niet geheel worden uitgesloten. Het Koninklijk Nederlands Normalisatie-instituut en/of de leden van de commissies aanvaarden derhalve geen enkele aansprakelijkheid, ook niet voor directe of indirecte schade, ontstaan door of verband houdend met toepassing van door het Koninklijk Nederlands Normalisatie-instituut gepubliceerde uitgaven.

Voorbeeld  
Preview

EUROPEAN STANDARD  
NORME EUROPÉENNE  
EUROPÄISCHE NORM

**DRAFT**  
**prEN 280-2**

September 2018

ICS 53.020.99

English Version

## Mobile elevating work platforms - Part 2: Additional safety requirements for load lifting appliances on the extending lifting structure and work platform

Plates-formes élévatrices mobiles de personnel - Partie 2: Prescriptions de sécurité supplémentaires pour des appareils de levage fixés à la structure extensible ou à la plate-forme de travail

Fahrbahre Hubarbeitsbühnen - Teil 2: Zusätzliche Sicherheitsanforderung für Lastaufnahmemittel an Hubeinrichtung und Arbeitsbühne

This draft European Standard is submitted to CEN members for enquiry. It has been drawn up by the Technical Committee CEN/TC 98.

If this draft becomes a European Standard, CEN members are bound to comply with the CEN/CENELEC Internal Regulations which stipulate the conditions for giving this European Standard the status of a national standard without any alteration.

This draft European Standard was established by CEN in three official versions (English, French, German). A version in any other language made by translation under the responsibility of a CEN member into its own language and notified to the CEN-CENELEC Management Centre has the same status as the official versions.

CEN members are the national standards bodies of Austria, Belgium, Bulgaria, Croatia, Cyprus, Czech Republic, Denmark, Estonia, Finland, Former Yugoslav Republic of Macedonia, France, Germany, Greece, Hungary, Iceland, Ireland, Italy, Latvia, Lithuania, Luxembourg, Malta, Netherlands, Norway, Poland, Portugal, Romania, Serbia, Slovakia, Slovenia, Spain, Sweden, Switzerland, Turkey and United Kingdom.

Recipients of this draft are invited to submit, with their comments, notification of any relevant patent rights of which they are aware and to provide supporting documentation.

**Warning:** This document is not a European Standard. It is distributed for review and comments. It is subject to change without notice and shall not be referred to as a European Standard.



EUROPEAN COMMITTEE FOR STANDARDIZATION  
COMITÉ EUROPÉEN DE NORMALISATION  
EUROPÄISCHES KOMITEE FÜR NORMUNG

CEN-CENELEC Management Centre: Rue de la Science 23, B-1040 Brussels

**Contents**

Page

<b>European foreword</b> .....	<b>3</b>
<b>Introduction</b> .....	<b>4</b>
<b>1 Scope</b> .....	<b>5</b>
<b>2 Normative references</b> .....	<b>5</b>
<b>3 Terms and definitions</b> .....	<b>6</b>
<b>4 List of significant hazards</b> .....	<b>8</b>
<b>5 Safety requirements and/or protective measures</b> .....	<b>12</b>
5.1 <b>Fixed load attachment point</b> .....	<b>12</b>
5.2 <b>Fixed lifting equipment (hoists with/without booms)</b> .....	<b>13</b>
5.3 <b>Structural and stability calculations</b> .....	<b>13</b>
5.4 <b>Methods to avoid overturning and exceeding permissible stresses</b> .....	<b>14</b>
<b>6 Verification of the safety requirements and/or protective measures</b> .....	<b>14</b>
<b>7 User Information</b> .....	<b>15</b>
7.1 <b>Operating instructions</b> .....	<b>15</b>
7.2 <b>Marking</b> .....	<b>16</b>
<b>Annex ZA (informative) Relationship between this European Standard and the essential requirements of Directive 2006/42/EC aimed to be covered</b> .....	<b>18</b>
<b>Bibliography</b> .....	<b>19</b>

Draft  
 Review  
 prEN

## European foreword

This document (prEN 280-2:2018) has been prepared by Technical Committee CEN/TC 98 “Lifting platforms”, the secretariat of which is held by DIN.

This document is currently submitted to the CEN Enquiry.

This document will supersede EN 280:2013+A1:2015.

This document has been prepared under a standardization request given to CEN by the European Commission and the European Free Trade Association, and supports essential requirements of EU Directive(s)

For relationship with EU Directive(s), see informative Annex ZA, which is an integral part of this document.

Forbiede  
Preview

## **Introduction**

This European Standard is a harmonized standard to provide one means for Mobile Elevating Work Platforms (MEWPs) of Type 1, equipped with a load lifting appliance and designed for lifting suspended loads, to conform to the essential health and safety requirements of the Machinery Directive 2006/42/EC.

This European Standard is a type C standard as stated in EN ISO 12100.

When provisions of this type C standard are different from those which are stated in type A or B standards, the provisions of this type C standard take precedence over the provisions of the other standards, for machines that have been designed and built according to the provisions of this type C standard.

The machinery concerned and the extent to which hazards are covered are indicated in the scope of this European Standard.

Orbital  
Preview

## 1 Scope

This document, which shall be used in conjunction with EN 280-1:<sup>1</sup>, specifies the additional safety requirements for MEWPs of Type 1 equipped with a load lifting appliance. The load lifting appliance is designed for lifting suspended loads directly in support of the task being carried out by personal from the work platform. This European Standard deals with the significant hazards, hazardous situations and events relevant to the lifting of loads outside the scope of EN 280-1:<sup>1</sup>, when the MEWP and load lifting appliance are used as intended and under conditions of misuse which are reasonably foreseeable by the manufacturer of the MEWP. The significant hazards covered by this standard are listed in Clause 4.

This European Standard does not cover the following:

- a) the use of a MEWP for lifting persons as a suspended load;
- b) the use of a MEWP for lifting suspended loads from a control position other than the work platform;

NOTE Where a control position other than the work platform is used the relevant crane standards (e.g. EN 13000, EN 12999) apply.

- c) requirements for lifting accessories;
- d) raising or lowering of suspended loads for general materials handling as carried out by a crane.

Load lifting devices can be:

- a) fixed load attachment points on the work platform or on the extending lifting structure;
- b) lifting equipment for raising or lowering the load with a stationary platform. The equipment is attached to the work platform or extending structure and may have a jib.

NOTE The lifting equipment can be either permanently attached or interchangeable.

## 2 Normative references

The following documents are referred to in the text in such a way that some or all of their content constitutes requirements of this document. For dated references, only the edition cited applies. For undated references, the latest edition of the referenced document (including any amendments) applies.

EN 280-1:<sup>1</sup>, *Mobile elevating work platforms — Part 1: Design calculations, Stability criteria, Construction — Safety, Examinations and tests*

EN 13001-2:2014, *Crane safety - General design — Part 2: Load actions*

EN 14492-2, *Cranes — Power driven winches and hoists — Part 2: Power driven hoists*

EN 60204-32, *Safety of machinery — Electrical equipment of machines — Part 32: Requirements for hoisting machines (IEC 60204-32)*

EN ISO 12100:2010, *Safety of machinery — General principles for design — Risk assessment and risk reduction (ISO 12100:2010)*

---

<sup>1</sup>) Under preparation. Stage at the time of publication: prEN 280-1:2018.

**prEN 280-2:2018 (E)**

EN ISO 13850, *Safety of machinery — Emergency stop function — Principles for design (ISO 13850)*

**3 Terms and definitions**

For the purposes of this document, the terms and definitions given in EN 280-1:–<sup>1</sup>, EN ISO 12100:2010 and the following apply.

ISO and IEC maintain terminological databases for use in standardization at the following addresses:

- IEC Electropedia: available at <http://www.electropedia.org/>
- ISO Online browsing platform: available at <http://www.iso.org/obp>

**3.1 load lifting appliance**  
load holding device or lifting equipment, which is permanently mounted or mounted as interchangeable equipment

**3.2 fixed**  
defined positions, designed for mounting load lifting appliances

**3.3 lifting equipment**  
hoist with or without jibs, with or without suspension elements and load holding device, which is permanently mounted or mounted as interchangeable equipment

**3.4 hoist**  
part of the lifting equipment enabling the raising and lowering of the load holding device over predefined distances with a suspension element without movement of MEWP

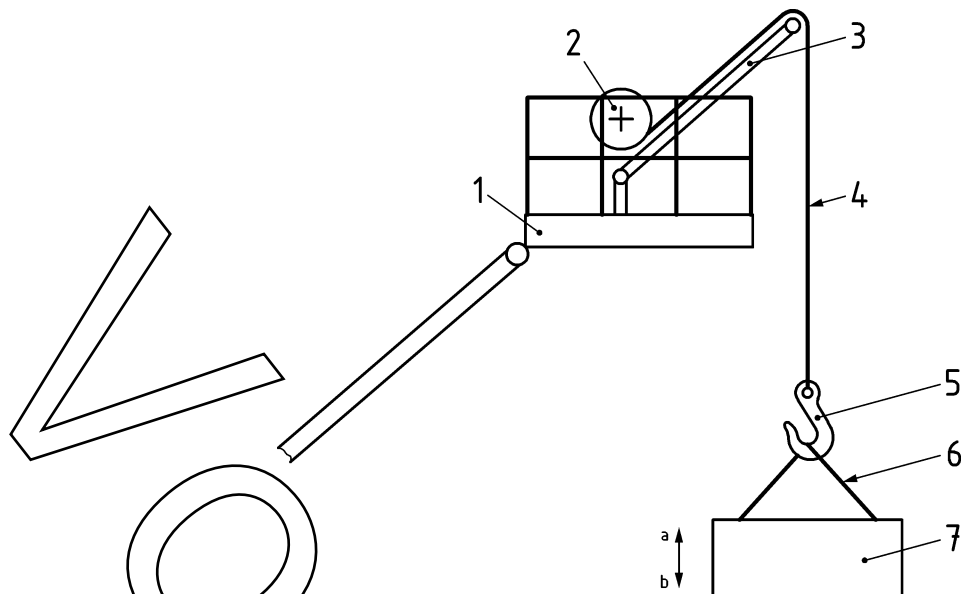
**3.5 suspension element**  
part of the lifting equipment which supports the load and is positioned between hoist and load holding device, e.g. ropes, chains or belts

**3.6 load holding device**  
part of the lifting equipment which enables the lifting accessories to be supported and which is positioned between MEWP or suspension element and lifting accessory(s) (e.g. hook or lug)

**3.7 lifting accessories**  
components or equipment parts that are located between the holding device of the lifting equipment and the load

**3.8 load attachment point**  
load holding device directly attached to the extending structure or work platform of the MEWP





**Key**

- 1 work platform
- 2 hoist
- 3 jib
- 4 suspension element
- 5 load holding device
- 6 lifting accessories
- 7 load
- a raising
- b lowering

**Figure 1 — Illustration of some definitions using the example "material winch in the work platform"**

# ALTIJD DE ACTUELE NORM IN UW BEZIT HEBBEN?

Nooit meer zoeken in de systemen en uzelf de vraag stellen:  
“Is NEN-EN 280-2:2018 Ontw. en de laatste versie?”™

Via het digitale platform NEN Connect heeft u altijd toegang tot de meest actuele versie van deze norm. Vervallen versies blijven ook beschikbaar. **U en uw collega's** kunnen de norm via NEN Connect makkelijk raadplagen, online en offline.

Kies voor slimmer werken en bekijk onze mogelijkheden op [www.nenconnect.nl](http://www.nenconnect.nl).

## Heeft u vragen?

Onze Klantenservice is bereikbaar maandag tot en met vrijdag, van 8.30 tot 17.00 uur.

Telefoon: 015 2 690 391

E-mail: [klantenservice@nen.nl](mailto:klantenservice@nen.nl)

