

# norm

# NEN-ISO/IEC 14474

Informatietechnologie - Telecommunicatie  
en informatie-uitwisseling tussen  
systemen - Niet-openbare geïntegreerde  
dienstennetwerken - Functionele eisen  
voor statische circuitmode  
inter-PINX-verbindingen  
(ISO/IEC 14474:1998)

Information technology - Telecommunications and information  
exchange between systems - Private Integrated Services Network -  
Functional requirements for static circuit-mode inter-PINX connections  
(ISO/IEC 14474:1998)

februari 1999

ICS 35.110

Als Nederlandse norm is aangenomen:

- ISO/IEC 14474:1998

Normcommissie 381 006 "Telecommunicatie en informatieuitwisseling tussen systemen"

Auteursrecht voorbehouden. Behoudens uitzondering door de wet gesteld mag zonder schriftelijke toestemming van het Nederlands Normalisatie-instituut niets uit deze uitgave worden veelevoudigd en/of openbaar gemaakt door middel van fotokopie, microfilm, opslag in computerbestanden of anderszins, hetgeen ook van toepassing is op gehele of gedeeltelijke bewerking.

Het Nederlands Normalisatie-instituut is met uitsluiting van ieder ander gerechtigd de door derden verschuldigde vergoedingen voor veelevoudiging te innen en/of daartoe in en buiten rechte op te treden, voor zover deze bevoegdheid niet is overgedragen c.q. rechtens toekomt aan de Stichting Reprorecht.

Hoewel bij deze uitgave de uiterste zorg is nagestreefd, kunnen fouten en onvolledigheden niet geheel worden uitgesloten. Het Nederlands Normalisatie-instituut en/of de leden van de commissies aangevaardende derhalve geen enkele aansprakelijkheid, ook niet voor directe of indirecte schade, ontstaan door of verband houdende met toepassing van door het Nederlands Normalisatie-instituut gepubliceerde uitgaven.

Voorbeeld  
Preview

INTERNATIONAL  
STANDARD

ISO/IEC  
14474

First edition  
1998-12-15

---

---

**Information technology —  
Telecommunications and information  
exchange between systems — Private  
Integrated Services Network — Functional  
requirements for static circuit-mode  
inter-PINX connections**

*Technologies de l'information — Télécommunications et échange  
d'information entre systèmes — Réseau privé à intégration de services —  
Exigences fonctionnelles pour les connexions inter-PINX en mode circuit  
statique*



Reference number  
ISO/IEC 14474:1998(E)

## ISO/IEC 14474:1998(E)

**Foreword**

ISO (the International Organization for Standardization) and IEC (the International Electrotechnical Commission) form the specialized system for worldwide standardization. National bodies that are members of ISO or IEC participate in the development of International Standards through technical committees established by the respective organization to deal with particular fields of technical activity. ISO and IEC technical committees collaborate in fields of mutual interest. Other international organizations, governmental and non-governmental, in liaison with ISO and IEC, also take part in the work.

In the field of information technology, ISO and IEC have established a joint technical committee, ISO/IEC JTC 1. Draft International Standards adopted by the joint technical committee are circulated to national bodies for voting. Publication as an International Standard requires approval by at least 75 % of the national bodies casting a vote.

International Standard ISO/IEC 14474 was prepared by Joint Technical Committee ISO/IEC JTC 1, *Information technology*, Subcommittee SC 6, *Telecommunications and information exchange between systems*.

Annex A forms an integral part of this International Standard.

© ISO/IEC 1998

All rights reserved. Unless otherwise specified, no part of this publication may be reproduced or utilized in any form or by any means, electronic or mechanical, including photocopying and microfilm, without permission in writing from the publisher.

ISO/IEC Copyright Office • Case postale 56 • CH-1211 Genève 20 • Switzerland

Printed in Switzerland

# Information technology — Telecommunications and information exchange between systems — Private Integrated Services Network — Functional requirements for static circuit-mode inter-PINX connections

## 1. Scope

This International Standard is a part of the functional requirements for the Private Integrated Services Network (PISN) and defines the functions and procedures that are required by Private Integrated Services Network exchanges (PINXs) and the intervening network (IVN) in order to establish Inter-PINX Connections (IPC). The IPC is used for the transfer of signalling and user information between PINXs.

The Private Signalling System No.1 (PSS1) as defined in ISO/IEC 11572 and 11574 defines the signalling procedures and protocol for call control between PINXs at the Q reference point. These procedures are independent of the types of IVNs, called scenarios used to interconnect the PINXs. ISO/IEC TR14475 describes the use of various types of IVNs which provide the interconnections of PINXs.

In order to connect a PINX to another PINX, mapping functions are required to adapt the specific interfaces at the C reference point to the application at the Q reference point. As such, mapping functions provide for physical adaptation to the interface at the C reference point. Mapping functions also provide for the mapping of user channels and signalling information at the Q reference point to the appropriate channels or time-slots at the C reference point. The C and Q reference points are defined in ISO/IEC 11579-1.

The types of interfaces at the C reference point covered by this International Standard are:

- [1] 1544 kbit/s unstructured digital leased line
- [2] 1544 kbit/s structured digital leased line
- [3] 2048 kbit/s unstructured digital leased line
- [4] 2048 kbit/s structured digital leased line
- [5] 64 kbit/s unrestricted digital leased line
- [6] 1544 kbit/s ISDN Primary Rate user-network layer 1 interface
- [7] 2048 kbit/s ISDN Primary Rate user-network layer 1 interface
- [8] ISDN Basic Rate user-network layer 1 interface

At the Q reference point the mappings provide a 64 kbit/s service for user channels and a packet mode service for the signalling channel. The applied mapping is a static mapping, i.e. there is a fixed relationship between user and signalling channels at the Q reference point and the timeslots of the interface at the C reference point. Any changes are subject to administrative actions.

This International Standard specifies PINX mapping functions between the Q reference point and the C reference point for IVNs which provide either dedicated or semi-permanent, non-user activation, circuit-mode IPCs. The dedicated IPC is the connection permanently established, usually for the duration of a contractual period. The semi-permanent IPC is the connection whose resources are reserved for specified times during a contractual period. The semi-permanent IPC is established by management control with or without user activations. In this International Standard, the semi-permanent IPC established by management control with user activation is outside the scope.

The IVN can be a dedicated physical link, dedicated transmission system or a cross connect system, or semi-permanent connection system. IVNs which include inverse multiplexer techniques (e.g. channel aggregation in accordance with ISO/IEC 13871) are covered by this International Standard so far as they support one of the interfaces listed above.

This International Standard also specifies mapping information. At both sides of the PINX, mapping information is required to administer the scenarios.

This International Standard is applicable to PINXs which can be interconnected to form a Private Integrated Services Network (PISN) and which support signalling protocols at the Q reference point.

## 2. Conformance

In order to conform to this International Standard, a PINX shall satisfy the requirements identified in the Protocol Implementation Conformance Statement (PICS) proforma in annex A.

## 3. Normative References

The following standards contain provisions which, through reference in this text, constitute provisions of this International Standard. At the time of publication, the editions indicated were valid. All standards are subject to revision, and parties to agreements based on this International Standard are encouraged to investigate the possibility of applying the most recent editions of the standards indicated below. Members of IEC and ISO maintain registers of currently valid International Standards.

- [1] ISO/IEC 11579-1:1994, *Information technology — Telecommunications and information exchange between systems — Private integrated services network — Part 1: Reference configuration for PISN Exchanges (PINX)*.
- [2] ISO/IEC TR 14475:1996, *Information technology — Telecommunications and information exchange between systems — Private Integrated Services Network — Architecture and Scenarios for Private Integrated Services Networking*.
- [3] ISO/IEC 11572:1997, *Information technology — Telecommunications and information exchange between systems — Private Integrated Services Network — Circuit mode bearer services — Inter-exchange signalling procedures and protocol*.
- [4] ISO/IEC 11574:1994, *Information technology — Telecommunications and information exchange between systems — Private Integrated Services Network — Circuit-mode 64 kbit/s bearer services — Service description, functional capabilities and information flows*.
- [5] ITU-T Rec.G.703 (1991), *Physical/electrical characteristics of hierarchical digital interface*.
- [6] ITU-T Rec.G.704 (1995), *Synchronous frame structures used at primary and secondary hierarchical levels*.
- [7] ITU-T Rec.G.706 (1991), *Frame alignment and cyclic redundancy check (CRC) procedures relating to basic frame structures defined in Recommendation G.704*.
- [8] ITU-T Rec.I.431 (1993), *Primary rate user-network interface — Layer 1 specification*.
- [9] ITU-T Rec.I.430 (1995), *Basic rate user-network interface — Layer 1 specification*.
- [10] ITU-T Rec.I.412 (1988), *ISDN user-network interfaces — Interface structures and access capabilities*.
- [11] ITU-T Rec.I.140 (1993), *Attribute Technique for the characterization of Telecommunication Services supported by an ISDN and Network Capabilities of an ISDN*.
- [12] ITU-T Rec.I.210 (1993), *Principles of Telecommunication Services Supported by and ISDN and the Means to describe them*.
- [13] ITU-T Rec.Q.921 (1993), *ISDN User-Network Interface — Layer 2 specification*.
- [14] ISO/IEC 2382-36:—<sup>1)</sup>, *Information technology — Vocabulary — Part 36: Private Integrated Services Network*.
- [15] ISO/IEC 13871:1995, *Information technology — Telecommunications and information exchange between systems — Private telecommunications networks — Digital channel aggregation*.

---

1) To be published.

## 4. Definitions

For the purposes of this International Standard, the following definitions apply.

### 4.1 External definitions

- PISN (Private Integrated Services Network) [14]
- PINX (Private Integrated Services Network Exchange) [14]
- IVN (Intervening Network) [14]
- SW (Switching Functional grouping) [1]
- MF (Mapping Functional grouping) [1]
- Q Reference Point [1]
- C Reference Point [1]
- IPC (Inter-PINX Connection) [14]
- IPL (Inter-PINX Link) [14]

### 4.2 Specific Definitions

#### 4.2.1 Channel

A means of bi-directional transmission of user or signalling information between two points.

##### 4.2.1.1 Dq channel

A channel used to convey signalling information including call control information between the Q reference points of two peer PINXs.

##### 4.2.1.2 Uq channel

A channel used to convey user information between the Q reference points of two PINXs.

#### 4.2.2 Signalling Functions

##### 4.2.2.1 QSIG (Signalling information flow at the Q reference point)

The generic term describing the signalling information flows (i.e. not a specific signalling protocol), within a Dq channel.

##### 4.2.2.2 CSIG (Signalling information flow at the C reference point)

The generic term describing access signalling information flows (i.e. not a specific signalling protocol), between a PINX and an IVN, at the C reference point.

### 4.3 Symbols and Abbreviations

- B Timeslot providing of 64 kbit/s bearer capability
- C C Reference Point
- Dq Dq channel
- IPC Inter-PINX Connection
- IVN Intervening Network
- MF Mapping Functional grouping
- PINX Private Integrated Services Network Exchange
- Q Q Reference Point
- QAB Indicates a Q reference point that is associated with the interconnection between PINX A and B
- QAC Indicates a Q reference point that is associated with the interconnection between PINX A and C.
- SW Switching Functional grouping
- Uq Uq channel

## 5. Introduction

For the concept of mapping function reference is made to ISO/IEC TR 14475[2].

### 5.1 Type of IVN

The IVNs supporting permanent circuit-mode IPCs are as follows:

- Dedicated Transmission System
- Semi Permanently established channels of circuit-mode network

#### 5.1.1 Dedicated Transmission System

The IPC is provided by a transmission mechanism. The IPC is established by management, see Figure 5.1.

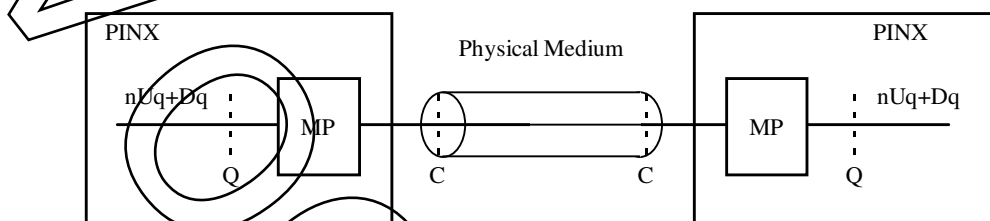


Figure 5.1 — Dedicated Physical medium

The transmission Medium can provide unstructured or channelized bitstream.

#### 5.1.2 Semi-Permanent Connection

The dedicated or the semi-permanent IPCs are provided by a semi-permanent circuit-mode mechanism in the intervening network, in which the IPCs are permanently established by management control with or without user activation. The channels on an IPC (signalling and user information channels between associated two PINXs) at the Q reference point are mapped onto preassigned timeslots providing of 64 kbit/s bearer capability of the IVN access at the C reference point.

This scenario provides multiple IPCs leading to different PINXs.

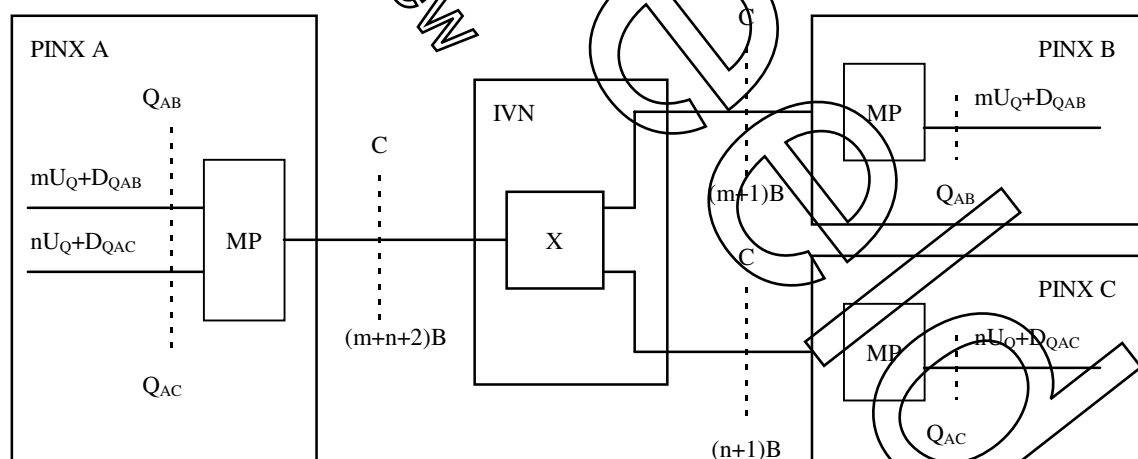


Figure 5.2 — Semi-permanent Connection

## 5.2 IVN Interface types

The Table 1 shows the categorization of the scenario type of permanent circuit-mode inter-PINX connections. It categorizes the IVN types in terms of the characteristics of the digital leased line for the provision of IPC. IVN interface types are only standardized in certain regions. The international availability of the full bit stream is outside the scope of this International Standard.



Table 5.1 — IVN Interface Types

	IVN Interface Types	Structurization	Note
1	Unstructured 1544 kbit/s digital leased line	-	
2	Structured 1544 kbit/s digital leased line	1536 kbit/s timeslots	Note 1
3	Structured 1544 kbit/s digital leased line	24 x 64 kbit/s timeslots	Note 3
4	Unstructured 2048 kbit/s digital leased line	1984 kbit/s timeslots	
5	Structured 2048 kbit/s digital leased line	1984 kbit/s timeslots	Note 2
6	Structured 2048 kbit/s digital leased line	31 x 64 kbit/s timeslots	Note 3
7	64 kbit/s digital leased line	64 kbit/s timeslot	
8	ISDN 1544 kbit/s Primary Rate Interface	According to ITU-T Rec.I.431	
9	ISDN 2048 kbit/s Primary Rate Interface	According to ITU-T Rec.I.431	
10	ISDN Basic Rate Interface	According to ITU-T Rec.I.430	

Note 1:

This type of leased line that is used to interconnect PINXs is a digital transmission link providing primary rate (1544 kbit/s) capability. In this mapping type, the derived channel at the Q reference point shall be mapped onto the time slot the information transfer rate of which is at 64 kbit/s without alteration between the PINXs.

Note 2:

In Europe and Australia it is possible to get 2048 kbit/s leased lines in two different ways. Alternative 1 is unstructured version, which provides unstructured bit stream at 2048 kbit/s (there is no channelisation). Alternative 2 is a channelized version in which time slot 0 is not necessarily transparent. Normally however the leased line offers the remaining 31 channels so that they can be used as 1984 kbit/s or as 31 x 64 kbit/s.

For the case of an unstructured leased line, it should be considered as one IPC at 2048 kbit/s. One possible mapping is to map it to 31 x 64 kbit/s channels. For the structured case especially when used with a cross connect the interface should be considered as providing 31 IPCs each at 64 kbit/s.

Note 3:

It is a make of subscription, while all 64 kbit/s timeslots are though connected end-to-end. Timeslot sequence integrity is guaranteed.

### 5.3 IPC Bearer Capabilities

IPC Bearer Capabilities depend on IVN Interface describing in the table below.

In each IVN types, the bearer capabilities shall be the assume in both PINXs for any given channel at the Q reference point. While, as a default solution, the bearer capabilities of any given channel at the Q reference point may be the same as provided by the IVN, the channels offered to the Q reference point can have different bearer capabilities provided by the IVN. The bearer modification function allows for conditioning the bearer capabilities provided by the IVN, depending on the bearer capabilities desired at the Q reference point. This bearer modification function is outside the scope of this International Standard.

# Bestelformulier

# NEN

## Stuur naar:

NEN Standards Products & Services  
t.a.v. afdeling Klantenservice  
Antwoordnummer 10214  
2600 WB Delft

## NEN Standards Products & Services

Postbus 5059  
2600 GB Delft

Vlinderweg 6  
2623 AX Delft

T (015) 2 690 390  
F (015) 2 690 271

[www.nen.nl/normshop](http://www.nen.nl/normshop)

## Ja, ik bestel

\_\_ ex. NEN-ISO/IEC 14474:1999 en Informatietechnologie - € 106.87  
Telecommunicatie en informatie-uitwisseling tussen systemen - Niet-openbare  
geïntegreerde dienstennetwerken - Functionele eisen voor statische  
circuitmode inter-PINX-verbindingen

**Wilt u deze norm in PDF-formaat? Deze bestelt u eenvoudig via  
[www.nen.nl/normshop](http://www.nen.nl/normshop)**

### Gratis e-mailnieuwsbrieven

Wilt u op de hoogte blijven van de laatste ontwikkelingen op het gebied van normen,  
normalisatie en regelgeving? Neem dan een gratis abonnement op een van onze  
e-mailnieuwsbrieven. [www.nen.nl/nieuwsbrieven](http://www.nen.nl/nieuwsbrieven)

### Retourneren

Fax: (015) 2 690 271  
E-mail: [klantenservice@nen.nl](mailto:klantenservice@nen.nl)  
Post: NEN Standards Products  
& Services,  
t.a.v. afdeling Klantenservice  
Antwoordnummer 10214,  
2600 WB Delft  
(geen postzegel nodig).

## Gegevens

Bedrijf / Instelling

T.a.v. O M O V

E-mail

Klantnummer NEN

Uw ordernummer BTW nummer

Postbus / Adres

Postcode Plaats

Telefoon Fax

**Factuuradres** (indien dit afwijkt van bovenstaand adres)

Postbus / Adres

Postcode Plaats

Datum Handtekening

### Voorwaarden

- De prijzen zijn geldig tot 31 december 2016, tenzij anders aangegeven.
- Alle prijzen zijn excl. btw, verzend- en handelingskosten en onder voorbehoud bij o.m. ISO- en IEC-normen.
- Bestelt u via de normshop een pdf, dan betaalt u geen handeling en verzendkosten.
- Meer informatie: telefoon (015) 2 690 391, dagelijks van 8.30 tot 17.00 uur.
- Wijzigingen en typfouten in teksten en prijsinformatie voorbehouden.
- U kunt onze algemene voorwaarden terugvinden op: [www.nen.nl/leveringsvoorwaarden](http://www.nen.nl/leveringsvoorwaarden).