

norm**NEN-EN 12790**

Artikelen voor zuigelingen en peuters -
Ligstoelen - Veiligheidseisen en
beproevingmethoden

Publicatie uitsluitend voor commentaar

Child care articles - Reclined cradles - Safety requirements and test
methods

juni 1999
ICS 97.140

Vervangt NEN-EN 12790:1997 Ontw.

Als Europees normontwerp is gepubliceerd: prEN 12790:1999, IDT

Definitief vastgestelde normen zullen als Nederlandse norm gelden. Daarom wordt dit normontwerp in Nederland voor commentaar gepubliceerd. Op het ontwerp ingebracht commentaar zal aan de bevoegde normcommissie worden voorgelegd die hiermee rekening zal houden bij de bepaling van de Nederlandse stem. Indien er geen bezwaar bij het NNI wordt ingebracht, kan dat leiden tot ongewijzigd definitieve vaststelling van het ontwerp als norm.

Van Europese normen bestaan drie officiële versies, Engels, Frans en Duits. Voor Nederland zal de Engelse versie gelden, tenzij voor een geautoriseerde versie in het Nederlands wordt gekozen.

Normcommissie 330 001 "Kinderartikelen"

Apart from exceptions provided by the law, nothing from this publication may be duplicated and/or published by means of photocopy, microfilm, storage in computer files or otherwise, which also applies to full or partial processing, without, the written consent of the Netherlands Standards Institute.

The Netherlands Standards Institute shall with the exclusion of any other beneficiary collect payments owed by third parties for duplication and/or act in and out of law, where this authority is not transferred or falls by right to the Reproduction rights Foundation.

Auteursrecht voorbehouden. Behoudens uitzondering door de wet gesteld mag zonder schriftelijke toestemming van het Nederlands Normalisatie-instituut niets uit deze uitgave worden veeveelvoudigd en/of openbaar gemaakt door middel van fotokopie, microfilm, opslag in computerbestanden of anderszins, hetgeen ook van toepassing is op gehele of gedeeltelijke bewerking

Het Nederlands Normalisatie-instituut is met uitsluiting van ieder ander gerechtigd de door derden verschuldigde vergoedingen voor veeveelvoudiging te innen en/of daartoe in en buiten rechte op te treden, voor zover deze bevoegdheid niet is overgedragen c.q. rechtens toekomt aan de Stichting Reprorecht.

Although the utmost care has been taken with this publication, errors and omissions cannot be entirely excluded. The Netherlands Standards Institute and/or the members of the commissions therefore accept no liability, not even for direct or indirect damage, occurring due to or in relation with the application of publications put out by the Netherlands Standards Institute

Hoewel bij deze uitgave de uiterste zorg is nagestreefd, kunnen fouten en onvolledigheden niet geheel worden uitgesloten. Het Nederlands Normalisatie-instituut en/of de leden van de commissies aanvaarden derhalve geen enkele aansprakelijkheid, ook niet voor directe of indirecte schade, ontstaan door of verband houdende met toepassing van door het Nederlands Normalisatie-instituut gepubliceerde uitgaven.

ICS



English version

Child care articles - Reclined cradles - Safety requirements and test methods

Articles de puériculture - Transats - Exigences de sécurité et méthodes d'essai

Artikel für Säuglinge und Kleinkinder - Kinderliegesitze - Sicherheitstechnische Anforderungen und Prüfverfahren

This draft European Standard is submitted to CEN members for second enquiry. It has been drawn up by the Technical Committee CEN/TC 252.

If this draft becomes a European Standard, CEN members are bound to comply with the CEN/CENELEC Internal Regulations which stipulate the conditions for giving this European Standard the status of a national standard without any alteration.

This draft European Standard was established by CEN in three official versions (English, French, German). A version in any other language made by translation under the responsibility of a CEN member into its own language and notified to the Central Secretariat has the same status as the official versions.

CEN members are the national standards bodies of Austria, Belgium, Czech Republic, Denmark, Finland, France, Germany, Greece, Iceland, Ireland, Italy, Luxembourg, Netherlands, Norway, Portugal, Spain, Sweden, Switzerland and United Kingdom.

Warning : This document is not a European Standard. It is distributed for review and comments. It is subject to change without notice and shall not be referred to as a European Standard.



EUROPEAN COMMITTEE FOR STANDARDIZATION
COMITÉ EUROPÉEN DE NORMALISATION
EUROPÄISCHES KOMITEE FÜR NORMUNG

Central Secretariat: rue de Stassart, 36 B-1050 Brussels

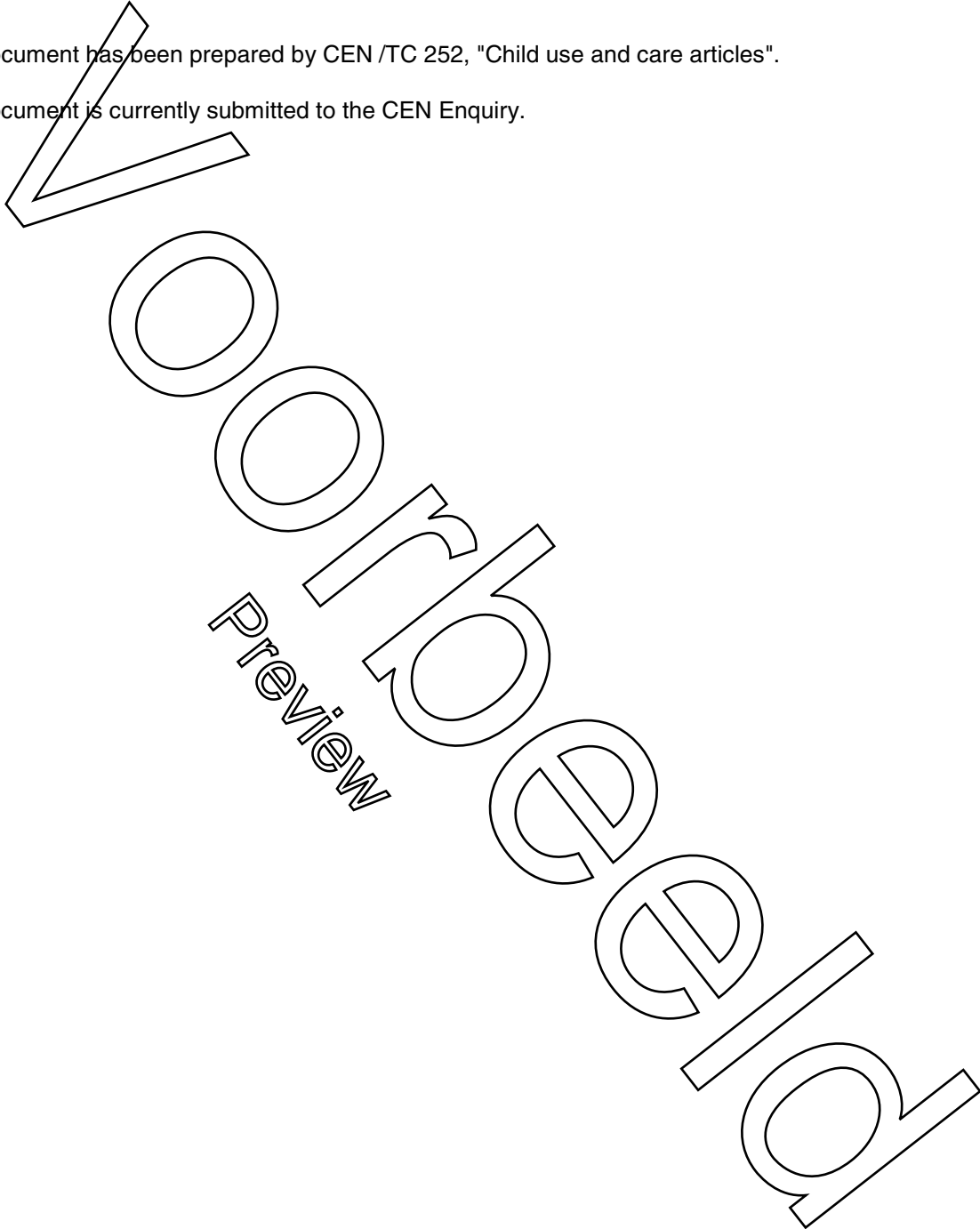
Contents

| | |
|---------------------------------------------------------------|----|
| Foreword..... | 3 |
| 1 Scope | 4 |
| 2 Normative references | 4 |
| 3 Terms and definitions..... | 4 |
| 4 Properties of materials..... | 5 |
| 4.1 Chemical properties | 5 |
| 4.2 Surface flash..... | 5 |
| 5 Construction..... | 5 |
| 5.1 General..... | 5 |
| 5.2 Openings..... | 6 |
| 5.3 Edges, points and corners..... | 6 |
| 5.4 Small parts..... | 7 |
| 5.5 Cords, strings and other narrow fabrics | 8 |
| 5.6 Moving parts..... | 8 |
| 5.7 Springs..... | 8 |
| 5.8 Locking mechanism(s)..... | 8 |
| 5.9 Reclining mechanism..... | 8 |
| 5.10 Stability | 8 |
| 5.11 Static strength..... | 8 |
| 5.12 Dynamic strength..... | 9 |
| 5.13 Slippage of the reclined cradle..... | 9 |
| 5.14 Slippage of the restraint system..... | 9 |
| 5.15 Strength of restraint system..... | 9 |
| 5.16 Marking..... | 9 |
| 6 Test methods..... | 9 |
| 6.1 Test method for springs..... | 9 |
| 6.2 Test method for locking mechanisms | 9 |
| 6.3 Test method for reclining mechanism..... | 10 |
| 6.4 Test method for stability | 10 |
| 6.5 Test method for static strength..... | 11 |
| 6.6 Test method for dynamic strength..... | 11 |
| 6.7 Test method for slippage of the reclined cradle..... | 12 |
| 6.8 Test method for the slippage of the restraint system..... | 13 |
| 6.9 Test method for the strength of restraint system..... | 13 |
| 6.10 Durability for marking..... | 14 |
| 7 Product information..... | 14 |
| 7.1 Marking of the product..... | 14 |
| 7.2 Purchase information | 14 |
| 7.3 Instructions for use | 15 |
| 8 Non-permeable packaging..... | 15 |
| Annex A (normative) Test mass..... | 16 |
| Annex B (normative) Tension test..... | 17 |
| Annex C (normative) Torque test | 18 |
| Annex D (informative) A-deviations..... | 19 |

Foreword

This document has been prepared by CEN /TC 252, "Child use and care articles".

This document is currently submitted to the CEN Enquiry.



1 Scope

This standard specifies the safety requirements and the corresponding test methods for fixed or folding reclined cradles intended for children up to the 6 months and or up to a weight of 9 kg.

2 Normative references

This European Standard incorporates by dated or undated reference, provisions from other publications. These normative references are cited at the appropriate places in the text and the publications are listed hereafter. For dated references, subsequent amendments to or revisions of any of these publications apply to this European Standard only when incorporated in it by amendment or revision. For undated references the latest edition of the publication referred to applies.

EN 71-1, *Safety of toys - Part 1: Mechanical and physical properties.*

EN 71-2, *Safety of toys - Part 2: Flammability.*

EN 71-3, *Safety of toys - Part 3: Migration of certain elements.*

EN 438-1, *Decorative high-pressure laminates (HPL) - Sheets based on thermosetting resins - Part 1 : Specifications (ISO 4586-1:1987, modified).*

ISO 48, *Rubber, vulcanised or thermoplastic - Determination of hardness (Hardness between) 10 IRHD and 100 IRHD*

3 Terms and definitions

For the purposes of this European Standard, the following definitions apply :

3.1

reclined cradle

device intended for accommodating a child in a reclined position; it can bounce or rock

3.2

restraint system

system used for maintaining the child in the reclined cradle

3.3

crotch strap

component part of restrained system intended for passing between the child's legs in order to prevent it from sliding out of the reclined cradle

3.4

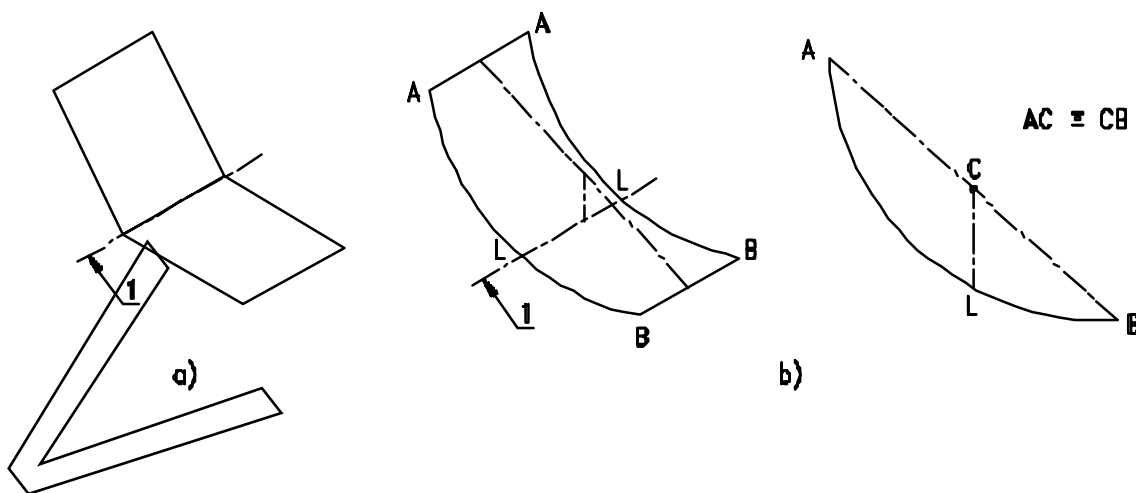
carrying handle

component part allowing the reclined cradle to be carried by hand

3.5

junction line

- a) the intersection of the seat and the back, represented by a line ;
- b) when the seat is in the form of hammock, then a theoretical junction line, "L", is determined as shown in Figure 1.



Key

1) Junction line

Figure 1 - Determination of the junction line for reclined cradles in form of hammock

3.6

folding mechanism

mechanism intended to fold the reclined cradle

3.7

locking mechanism

mechanism intended to prevent inadvertent folding

3.8

reclining mechanism

mechanism intended to modify the inclination of the back or of the cradle

4 Properties of materials

4.1 Chemical properties

The surface of any parts, plastic coatings or finishes shall comply with EN 71-3.

4.2 Surface flash

There shall be no parts of the reclined cradle that can give rise to surface flash (as e.g. plush surfaces), when tested in accordance with EN 71-2.

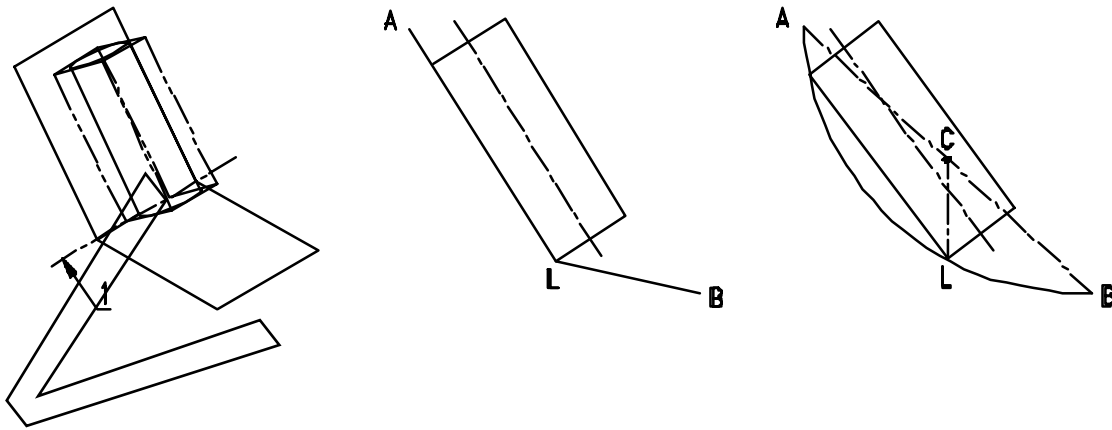
5 Construction

5.1 General

If not otherwise stated, all forces shall have accuracy of $\pm 5\%$, all masses an accuracy of $\pm 0,5\%$ and all dimensions an accuracy of $\pm 0,5$ mm.

Where the test mass in annex A is used, it shall be positioned in the reclined cradle as shown in Figure 2 and retained by the restraint system.

The following requirements shall be not after washing or clearing and drying the fabrics twice in accordance with the manufacturers instructions and any resulting shrinkage in the fabric covering materials shall not prevent them from being refitted, if removable, and shall not show any damage to the seams or fabrics that may impair the reclined cradles performance during testing.



Key

- 1) Junction line

Figure 2 - Positioning of the test mass

5.2 Openings

The reclined cradle shall not feature any slots, holes, open ended tubes, etc. in which a child's finger or flesh can be trapped.

To avoid entrapment of fingers, there shall be no accessible openings, holes or gaps with a width greater than 5 mm and smaller than 12 mm, unless the depth of penetration is less than 10 mm.

5.3 Edges, points and corners

- 1) edges, points and corners within the protected volume shall either comply with the example given in Figures 3 a), 3 b) or 3 c) or, if arising from a wall thickness smaller than 4 mm, shall comply with at least one of the following requirements :
 - be chamfered or rounded ; or
 - be folded, roller or spiralled ; see examples given in Figure 3 d) ; or
 - be protected with a plastic coating or other adequate means ; see example given in Figure 3 c).

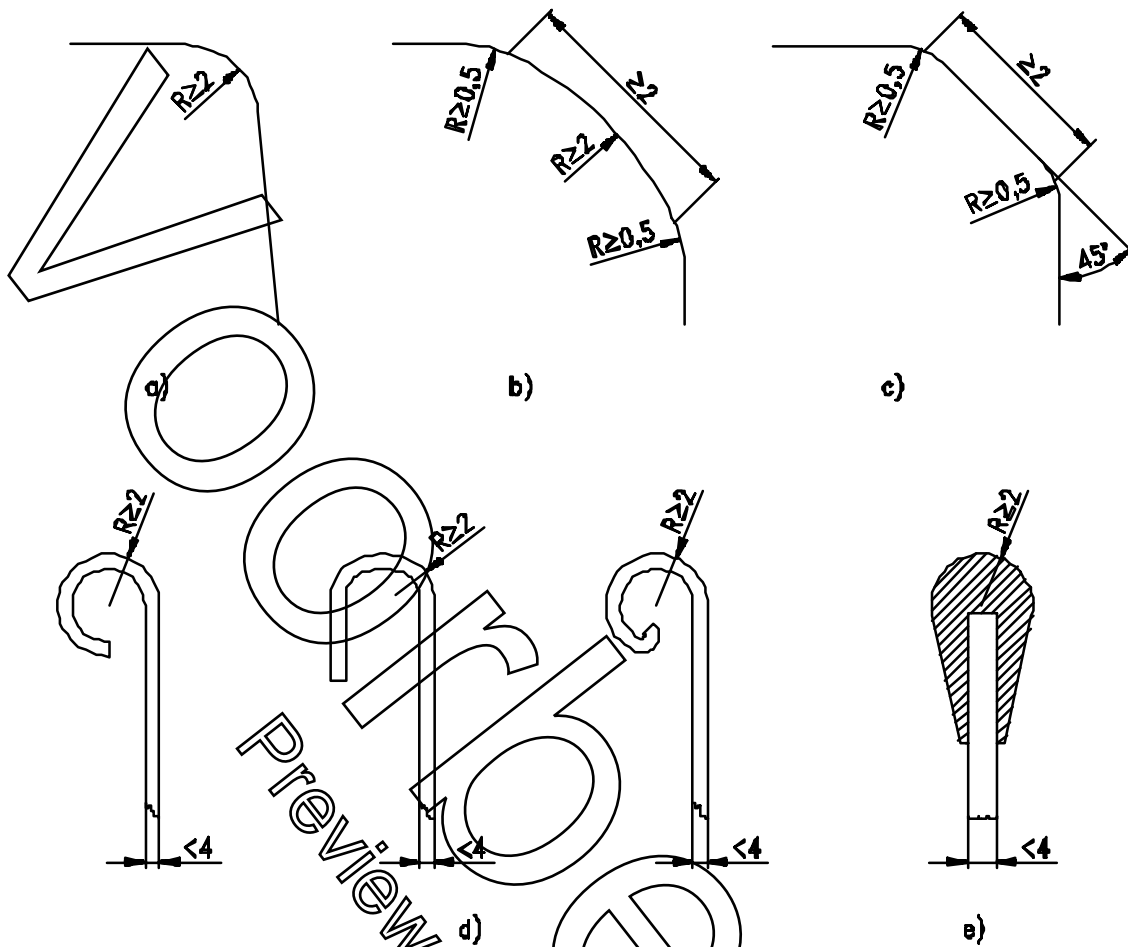


Figure 3 - examples for minimum radii of edges and corners

2) edges, points and corners out of the protected volume shall be rounded.

5.4 Small parts

In order to avoid ingestion or inhalation of small objects, components intended to be removed by the child shall not, whatever their position, fit wholly within the small parts cylinder specified in EN 71-1:1998.

Non-detachable components, parts which are not intended to be removed, shall comply with one of the following :

- the components shall be so embedded that the child cannot grip them with its teeth or fingers ;
- the components shall be so fixed to the product that they cannot become detached when tested in accordance with the torque test and tension test from EN 71-1:1998 ;
- any components which become detached when tested to b) above shall not fit wholly within the above specified cylinder in any orientation.

Bestelformulier

NEN

Stuur naar:

NEN Standards Products & Services
t.a.v. afdeling Klantenservice
Antwoordnummer 10214
2600 WB Delft

NEN Standards Products & Services

Postbus 5059
2600 GB Delft
Vlinderweg 6
2623 AX Delft

T (015) 2 690 390
F (015) 2 690 271

www.nen.nl/normshop

Ja, ik bestel

__ ex. NEN-EN 12790:1999 2e Ontw. en Artikelen voor zuigelingen en peuters - Ligstoelen - Veiligheidseisen en beproevingsmethoden € 23.50

Wilt u deze norm in PDF-formaat? Deze bestelt u eenvoudig via www.nen.nl/normshop

Gratis e-mailnieuwsbrieven

Wilt u op de hoogte blijven van de laatste ontwikkelingen op het gebied van normen, normalisatie en regelgeving? Neem dan een gratis abonnement op een van onze e-mailnieuwsbrieven. www.nen.nl/nieuwsbrieven

Retourneren

Fax: (015) 2 690 271
E-mail: klantenservice@nen.nl
Post: NEN Standards Products & Services,
t.a.v. afdeling Klantenservice
Antwoordnummer 10214,
2600 WB Delft
(geen postzegel nodig).

Gegevens

Bedrijf / Instelling _____

T.a.v. _____ O M O V

E-mail _____

Klantnummer NEN _____

Uw ordernummer _____

BTW nummer _____

Postbus / Adres _____

Postcode _____

Plaats _____

Telefoon _____

Fax _____

Factuuradres (indien dit afwijkt van bovenstaand adres)

Postbus / Adres _____

Postcode _____

Plaats _____

Datum _____

Handtekening _____

Voorwaarden

- De prijzen zijn geldig tot 31 december 2016, tenzij anders aangegeven.
- Alle prijzen zijn excl. btw, verzend- en handelingskosten en onder voorbehoud bij o.m. ISO- en IEC-normen.
- Bestelt u via de normshop een pdf, dan betaalt u geen handeling en verzendkosten.
- Meer informatie: telefoon (015) 2 690 391, dagelijks van 8.30 tot 17.00 uur.
- Wijzigingen en typfouten in teksten en prijsinformatie voorbehouden.
- U kunt onze algemene voorwaarden terugvinden op: www.nen.nl/leveringsvoorwaarden.