

INTERNATIONAL STANDARD

ISO 15600

First edition
2000-05-01

Tools for moulding — Thermal insulating sheets for injection moulds

*Outils de moulage — Feuilles d'isolation thermique dans les moules
d'injection*

Preview



Reference number
ISO 15600:2000(E)

© ISO 2000

PDF disclaimer

This PDF file may contain embedded typefaces. In accordance with Adobe's licensing policy, this file may be printed or viewed but shall not be edited unless the typefaces which are embedded are licensed to and installed on the computer performing the editing. In downloading this file, parties accept therein the responsibility of not infringing Adobe's licensing policy. The ISO Central Secretariat accepts no liability in this area.

Adobe is a trademark of Adobe Systems Incorporated.

Details of the software products used to create this PDF file can be found in the General Info relative to the file; the PDF-creation parameters were optimized for printing. Every care has been taken to ensure that the file is suitable for use by ISO member bodies. In the unlikely event that a problem relating to it is found, please inform the Central Secretariat at the address given below.

Copyright
Preview

© ISO 2000

All rights reserved. Unless otherwise specified, no part of this publication may be reproduced or utilized in any form or by any means, electronic or mechanical, including photocopying and microfilm, without permission in writing from either ISO at the address below or ISO's member body in the country of the requester.

ISO copyright office
Case postale 56 • CH-1211 Geneva 20
Tel. + 41 22 749 01 11
Fax + 41 22 734 10 79
E-mail copyright@iso.ch
Web www.iso.ch

Printed in Switzerland

Foreword

ISO (the International Organization for Standardization) is a worldwide federation of national standards bodies (ISO member bodies). The work of preparing International Standards is normally carried out through ISO technical committees. Each member body interested in a subject for which a technical committee has been established has the right to be represented on that committee. International organizations, governmental and non-governmental, in liaison with ISO, also take part in the work. ISO collaborates closely with the International Electrotechnical Commission (IEC) on all matters of electrotechnical standardization.

International Standards are drafted in accordance with the rules given in the ISO/IEC Directives, Part 3.

Draft International Standards adopted by the technical committees are circulated to the member bodies for voting. Publication as an International Standard requires approval by at least 75 % of the member bodies casting a vote.

Attention is drawn to the possibility that some of the elements of this International Standard may be the subject of patent rights. ISO shall not be held responsible for identifying any or all such patent rights.

International Standard ISO 15600 was prepared by Technical Committee ISO/TC 29, *Small tools*, Subcommittee SC 8, *Tools for pressing and moulding*.

Copyright
Preview

Tools for moulding — Thermal insulating sheets for injection moulds

1 Scope

This International Standard lays down the basic dimensions and tolerances, in millimetres, of type A and B thermal insulating sheets for plastic and rubber moulds. Thermal insulating sheets are used in applications where heat transmission between injection mould and machine platen has to be reduced. This International Standard also gives material guidelines and design requirements, and specifies the designation of the insulating sheets.

The dimensions of the sheets have been chosen to match those of mould plates specified in ISO 6753-2. For type B sheets measuring $156 \text{ mm} \times 156 \text{ mm}$ and larger, the diameter of the hole has been chosen to match the fitting diameter ($\varnothing 90 \text{ mm}$) of locating rings.

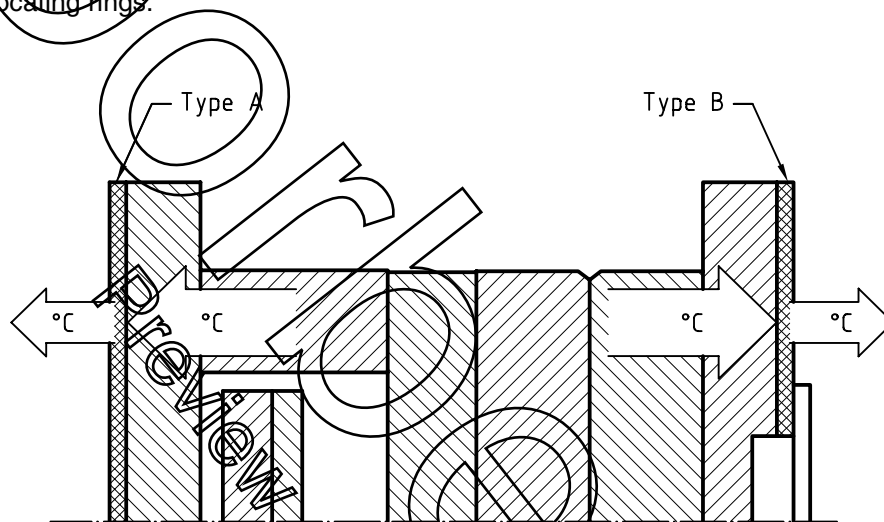


Figure 1 — Example of mounting of thermal insulation sheets

2 Dimensions

See Figures 2 and 3 and Table 1.

For type B thermal insulating sheets, where $w \times l$ is smaller than $156 \text{ mm} \times 156 \text{ mm}$, the diameter of the hole is left to the manufacturer's discretion.

Dimensions in millimetres

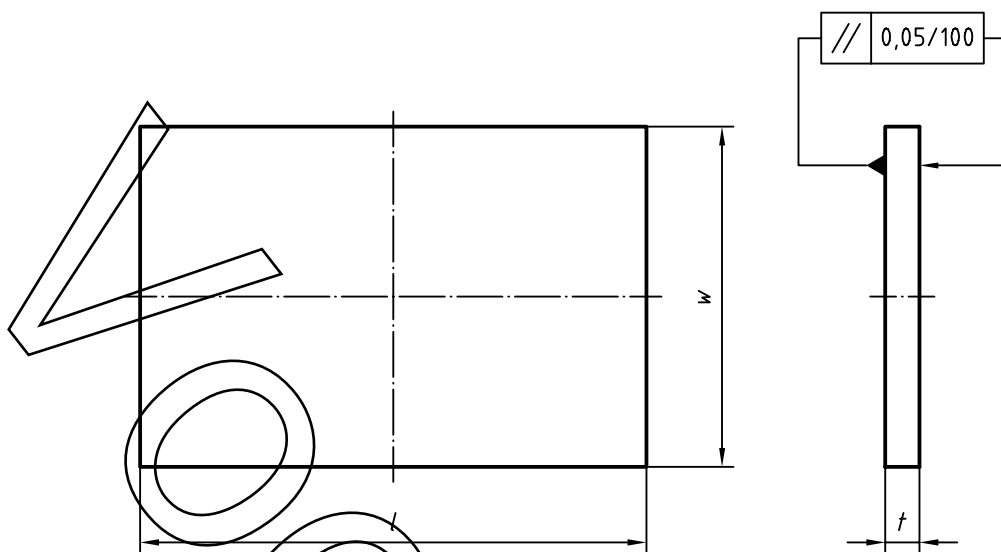


Figure 2 — Type A thermal insulating sheet

Dimensions in millimetres

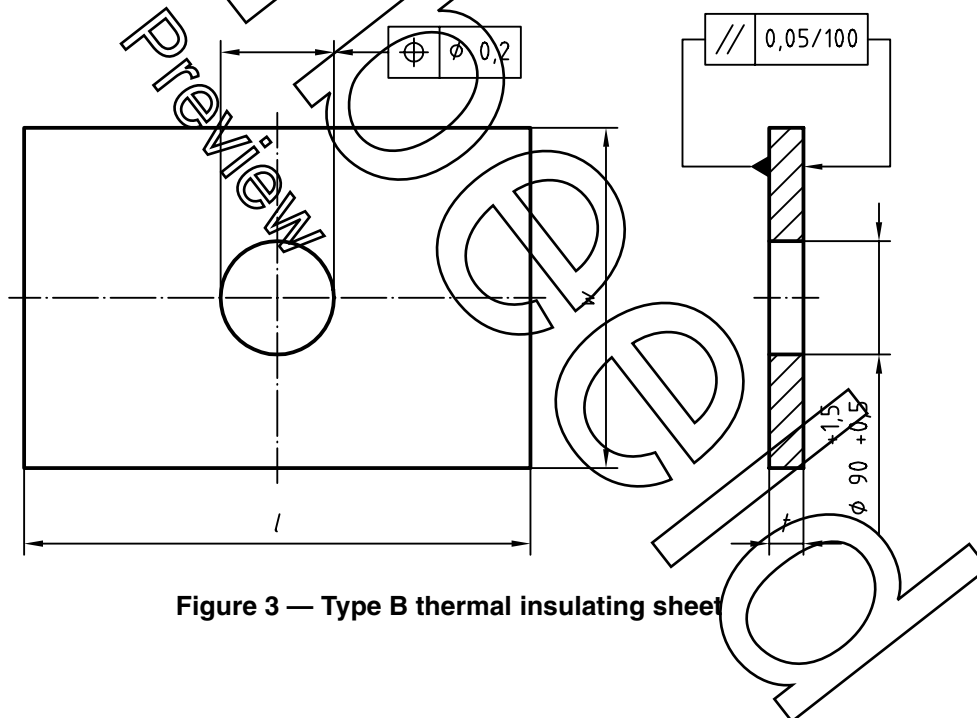


Figure 3 — Type B thermal insulating sheet

Bestelformulier

Stuur naar:

NEN Standards Products & Services
t.a.v. afdeling Klantenservice
Antwoordnummer 10214
2600 WB Delft



NEN Standards Products & Services

Postbus 5059
2600 GB Delft

Vlinderweg 6
2623 AX Delft

T (015) 2 690 390
F (015) 2 690 271

www.nen.nl/normshop

Ja, ik bestel

__ ex. ISO 15600:2000 en Gereedschappen voor spuitgieten - Thermische isolatie voor spuitgietmallen € 31.57

Wilt u deze norm in PDF-formaat? Deze bestelt u eenvoudig via www.nen.nl/normshop

Gratis e-mailnieuwsbrieven

Wilt u op de hoogte blijven van de laatste ontwikkelingen op het gebied van normen, normalisatie en regelgeving? Neem dan een gratis abonnement op een van onze e-mailnieuwsbrieven. www.nen.nl/nieuwsbrieven

Gegevens

Bedrijf / Instelling _____

T.a.v. _____ O M O V

E-mail _____

Klantnummer NEN _____

Uw ordernummer _____ BTW nummer _____

Postbus / Adres _____

Postcode _____ Plaats _____

Telefoon _____ Fax _____

Factuuradres (indien dit afwijkt van bovenstaand adres)

Postbus / Adres _____

Postcode _____ Plaats _____

Datum _____ Handtekening _____

Retourneren

Fax: 015 2 690 271

E-mail: klantenservice@nen.nl

Post: NEN Standards Products & Services,

t.a.v. afdeling Klantenservice
Antwoordnummer 10214,
2600 WB Delft

(geen postzegel nodig).

Voorwaarden

- De prijzen zijn geldig tot 31 december 2018, tenzij anders aangegeven.
- Alle prijzen zijn excl. btw, verzend- en handelingskosten en onder voorbehoud bij o.m. ISO- en IEC-normen.
- Bestelt u via de normshop een pdf, dan betaalt u geen handeling en verzendkosten.
- Meer informatie: telefoon 015 2 690 391, dagelijks van 8.30 tot 17.00 uur.
- Wijzigingen en typfouten in teksten en prijsinformatie voorbehouden.
- U kunt onze algemene voorwaarden terugvinden op: www.nen.nl/leveringsvoorwaarden.