
INTERNATIONAL STANDARD



3158

INTERNATIONAL ORGANIZATION FOR STANDARDIZATION • МЕЖДУНАРОДНАЯ ОРГАНИЗАЦИЯ ПО СТАНДАРТИЗАЦИИ • ORGANISATION INTERNATIONALE DE NORMALISATION

Timekeeping instruments — Symbolization of control positions

Instruments horaires — Symbolisation des positions de contrôle

First edition — 1976-02-01

Dit document mag slechts op een stand-alone PC worden geïnstalleerd. Gebruik op een netwerk is alleen toestaan als een aanvullende licentieovereenkomst voor netwerkgebruik met NEN is afgesloten. ISO 3158-1976 document may only be used on a stand-alone PC. Use in a network is only permitted when a supplementary license agreement for us in a network with NEN has been concluded.

Preview

UDC 681.11 : 658.562

Ref. No. ISO 3158-1976 (E)

Descriptors : time-measuring instruments, orientation, symbols.

Price based on 3 pages



FOREWORD

ISO (the International Organization for Standardization) is a worldwide federation of national standards institutes (ISO Member Bodies). The work of developing International Standards is carried out through ISO Technical Committees. Every Member Body interested in a subject for which a Technical Committee has been set up has the right to be represented on that Committee. International organizations, governmental and non-governmental, in liaison with ISO, also take part in the work.

Draft International Standards adopted by the Technical Committees are circulated to the Member Bodies for approval before their acceptance as International Standards by the ISO Council.

International Standard ISO 3158 was drawn up by Technical Committee ISO/TC 114, *Horology*, and circulated to the Member Bodies in April 1975.

It has been approved by the Member Bodies of the following countries :

Czechoslovakia	Mexico	Turkey
France	Portugal	United Kingdom
Germany	South Africa, Rep. of	U.S.S.R.
Ireland	Spain	
Japan	Switzerland	

No Member Body expressed disapproval of the document.

© International Organization for Standardization, 1976 •

Printed in Switzerland

Timekeeping instruments – Symbolization of control positions

1 SCOPE AND FIELD OF APPLICATION

This International Standard lays down the definition and designations of test positions for any timekeeping instrument, irrespective of its type, design or dimensions.

2 DEFINITION

The position of a timekeeping instrument or its movement is relative to direction **Z**, which is opposite to the direction of acceleration caused by gravity (figures 1 and 2). It is indicated by angles λ and ϑ , which are defined as follows.

a) λ is the angle of rotation of the timekeeping instrument about axis **X**, which is perpendicular to the plane of the dial (figure 1). The rotation is counter-clockwise.

The range of λ is : $0^\circ \leq \lambda < 360^\circ$. (The range of λ is between 0° and a value less than 360° .)

b) ϑ is the angle of rotation of the timekeeping instrument about the axis perpendicular to plane **ZX** (figure 2).

$\vartheta > 0^\circ$ means a rotation of the point on the dial which is momentarily highest when that point is moving away from the observer.

$\vartheta < 0^\circ$ means a rotation of the above point when it is moving towards the observer.

The range of ϑ is : $-90^\circ \leq \vartheta \leq +90^\circ$. (The range of ϑ is between $\pm 90^\circ$.)

c) For $\lambda = 0^\circ$ and $\vartheta = 0^\circ$, the axis passing through 6 hours and 12 hours shall coincide with direction **Z**.

(For timekeeping instruments not having a conventional dial and for movements, the specifications of clause 4 apply.)

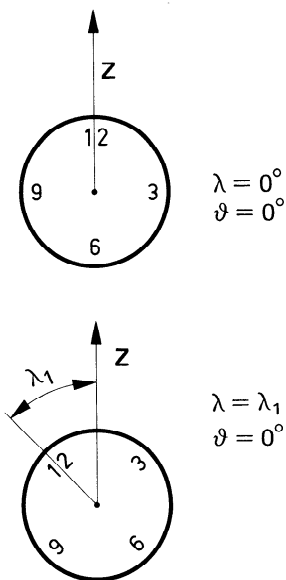


FIGURE 1

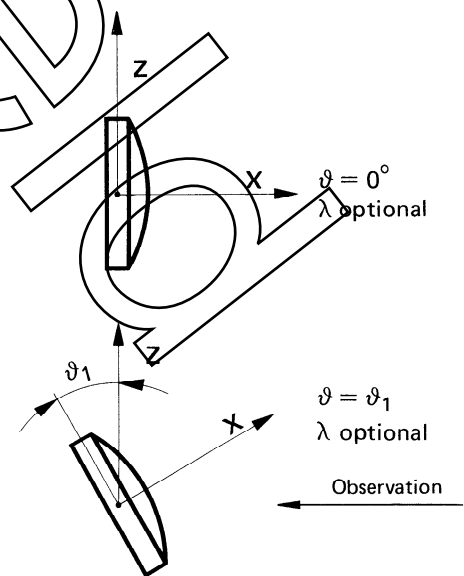


FIGURE 2

3 DESIGNATIONS FOR FREQUENTLY USED CONTROL POSITIONS

These positions are indicated as follows :

3.1 Vertical positions

Symbol	Designation	Abbreviated designation	Orientation
	3 hours up	3 H or 3↑	$\lambda = 90^\circ$ $\vartheta = 0^\circ$
	6 hours up	6 H or 6↑	$\lambda = 180^\circ$ $\vartheta = 0^\circ$
	9 hours up	9 H or 9↑	$\lambda = 270^\circ$ $\vartheta = 0^\circ$
	12 hours up	12 H or 12↑	$\lambda = 0^\circ$ $\vartheta = 0^\circ$

If it is desired to designate a vertical position other than those set out above, use as a basis the relevant dial number placed in the uppermost position; for example, for 4 hours up: 4 H or 4↑.

3.2 Horizontal positions

Symbol	Designation	Abbreviated designation	Orientation
	dial up	CH or C↑	λ optional $\vartheta = +90^\circ$
	back of case up or dial down	FH or F↑ CB or C↓	λ optional $\vartheta = -90^\circ$

3.3 Inclined positions

Symbol	Designation	Abbreviated designation	Orientation
	inclined, to the back* 12 hours up	12 H + 30° or 12↑ + 30°	$\lambda = 0^\circ$ $\vartheta = +30^\circ$

* The highest point of the dial leans away from the observer + 30°.

If it is desired to designate in practice a position other than those set out above, indicate first the dial number placed in the uppermost position, followed by H or an arrow, then the angle ϑ with its sign.

Bestelformulier

NEN

Stuur naar:

NEN Standards Products & Services
t.a.v. afdeling Klantenservice
Antwoordnummer 10214
2600 WB Delft

NEN Standards Products & Services

Postbus 5059
2600 GB Delft

Vlinderweg 6
2623 AX Delft

T (015) 2 690 390
F (015) 2 690 271

www.nen.nl/normshop

Ja, ik bestel

__ ex. ISO 3158:1976 en Timekeeping instruments - Symbolization of control positions € 31.57

Wilt u deze norm in PDF-formaat? Deze bestelt u eenvoudig via www.nen.nl/normshop

Gratis e-mailnieuwsbrieven

Wilt u op de hoogte blijven van de laatste ontwikkelingen op het gebied van normen, normalisatie en regelgeving? Neem dan een gratis abonnement op een van onze e-mailnieuwsbrieven. www.nen.nl/nieuwsbrieven

Retourneren

Fax: (015) 2 690 271
E-mail: klantenservice@nen.nl
Post: NEN Standards Products & Services,
t.a.v. afdeling Klantenservice
Antwoordnummer 10214,
2600 WB Delft
(geen postzegel nodig).

Gegevens

Bedrijf / Instelling _____

T.a.v. _____ O M O V

E-mail _____

Klantnummer NEN _____

Uw ordernummer _____

BTW nummer _____

Postbus / Adres _____

Postcode _____

Plaats _____

Telefoon _____

Fax _____

Factuuradres (indien dit afwijkt van bovenstaand adres)

Postbus / Adres _____

Postcode _____

Plaats _____

Datum _____

Handtekening _____

Voorwaarden

- De prijzen zijn geldig tot 31 december 2016, tenzij anders aangegeven.
- Alle prijzen zijn excl. btw, verzend- en handelingskosten en onder voorbehoud bij o.m. ISO- en IEC-normen.
- Bestelt u via de normshop een pdf, dan betaalt u geen handeling en verzendkosten.
- Meer informatie: telefoon (015) 2 690 391, dagelijks van 8.30 tot 17.00 uur.
- Wijzigingen en typfouten in teksten en prijsinformatie voorbehouden.
- U kunt onze algemene voorwaarden terugvinden op: www.nen.nl/leveringsvoorwaarden.