

International Standard



5669

INTERNATIONAL ORGANIZATION FOR STANDARDIZATION • МЕЖДУНАРОДНАЯ ОРГАНИЗАЦИЯ ПО СТАНДАРТИЗАЦИИ • ORGANISATION INTERNATIONALE DE NORMALISATION

Agricultural trailers and trailed equipment — Braking cylinders — Specifications

Remorques et matériels agricoles remorqués — Vérins de freinage — Spécifications

First edition — 1982-02-15

Corrected and reprinted — 1984-05-01

Dit document mag slechts op een stand-alone PC worden geïnstalleerd. Gebruik op een netwerk is alleen toegestaan als een aanvullende licentieovereenkomst voor netwerkgebruik met NEN is afgesloten. This document may only be used on a stand-alone PC. Use in a network is only permitted when a supplementary license agreement for us in a network with NEN has been concluded.

Preview

Copyright

UDC 631.3-592.2

Ref. No. ISO 5669-1982 (E)

Descriptors : agricultural machinery, trailers, hydraulic cylinders, braking, specifications, classifications, dimensions.



Foreword

ISO (the International Organization for Standardization) is a worldwide federation of national standards institutes (ISO member bodies). The work of developing International Standards is carried out through ISO technical committees. Every member body interested in a subject for which a technical committee has been set up has the right to be represented on that committee. International organizations, governmental and non-governmental, in liaison with ISO, also take part in the work.

Draft International Standards adopted by the technical committees are circulated to the member bodies for approval before their acceptance as International Standards by the ISO Council.

International Standard ISO 5669 was developed by Technical Committee ISO/TC 23, *Tractors and machinery for agriculture and forestry*, and was circulated to the member bodies in April 1980.

It has been approved by the member bodies of the following countries :

Australia	Egypt, Arab Rep. of	Poland
Austria	Germany, F.R.G.	Portugal
Belgium	India	Romania
Brazil	Italy	Spain
Bulgaria	Korea, Dem. P. Rep. of	Sweden
China	New Zealand	USSR
Denmark	Pakistan	

The member bodies of the following countries expressed disapproval of the document on technical grounds :

France
Switzerland
United Kingdom



Agricultural trailers and trailed equipment — Braking cylinders — Specifications

0 Introduction

This International Standard aims to reduce the number of types of hydraulic cylinders used to control the brakes of agricultural trailers and trailed equipment.

1 Scope and field of application

This International Standard specifies the main interchangeability dimensions for compensator and articulated hydraulic cylinders capable of activating mechanically controlled brakes fixed to the axles of agricultural trailers and trailed equipment.

NOTE — The correct operation of the braking unit requires the presence of one or more recall springs.

2 References

ISO 1179, *Pipe connections for plain end steel and other metal tubes in industrial applications.*

ISO 6149, *Hydraulic and pneumatic transmissions — Coupling holes — Metric series.*

3 Definitions

For the purpose of this International Standard, the following definitions apply.

3.1 compensator cylinder : Cylinder which is rigidly fixed to the chassis of the vehicle by means of a plate or side fastening and the shaft of which has a compensator acting on the brake levers by means of cables.

3.2 articulated cylinder : Cylinder which rotates about a fixing axis perpendicular to the shaft.

4 Specifications

4.1 Bore or effective diameter of the cylinder

The effective diameters of the cylinders shall be as follows :

- 20 ± 0,5 mm
- 25 ± 0,5 mm
- 30 ± 1 mm
- 36 ± 1 mm

4.2 Stroke

The stroke shall be not less than 100 mm.

4.3 Coupling port

The coupling port shall have a thread G 1/4, conforming to ISO 1179, or M 14 × 1,5 conforming to ISO 6149.

5 Dimensions

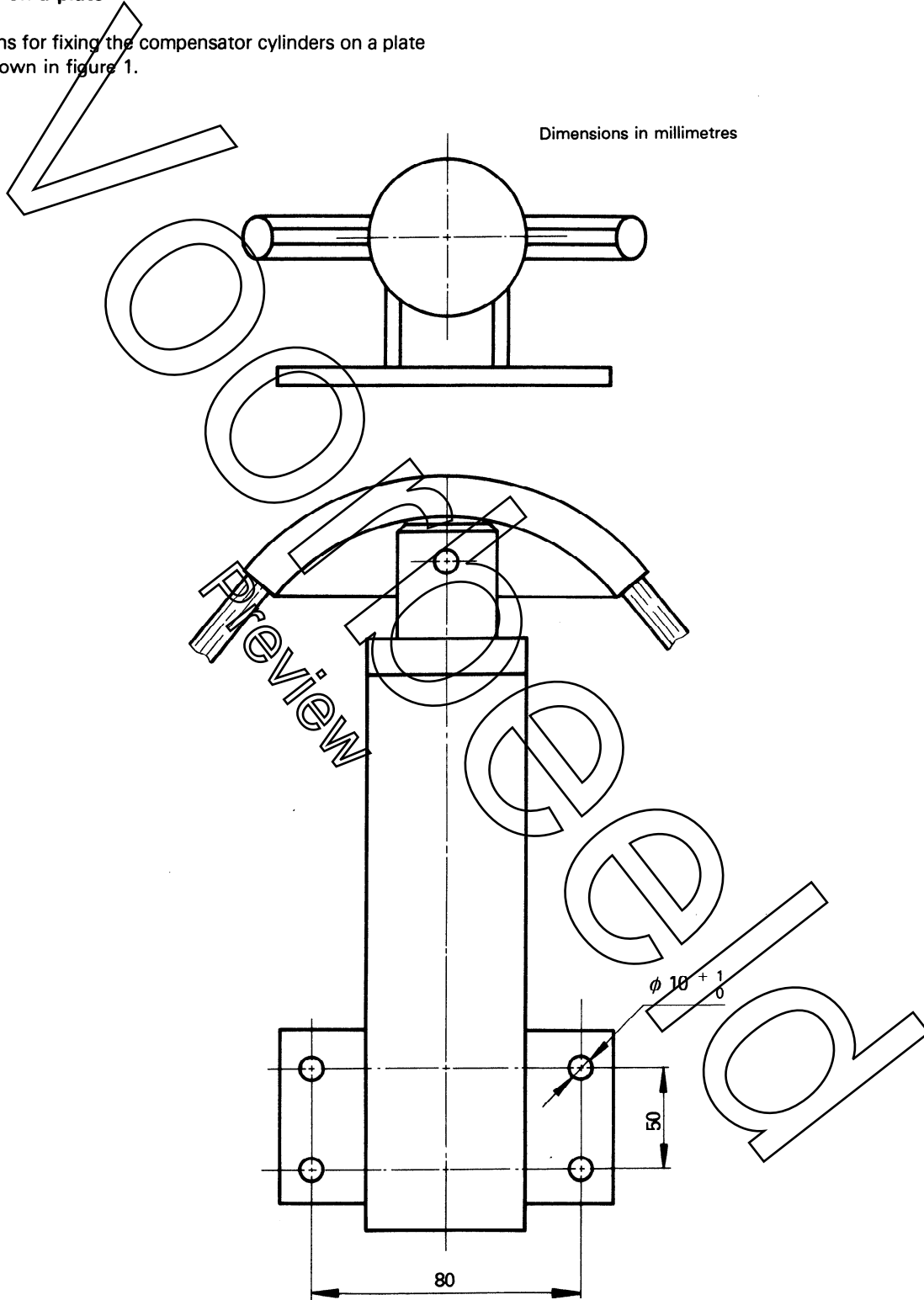
5.1 Compensator cylinders

5.1.1 Fixing on a plate

The dimensions for fixing the compensator cylinders on a plate shall be as shown in figure 1.

5.1.2 Fixing with a side fastening

The dimensions of the side fastening of the compensator cylinders shall be as shown in figure 2.



NOTE — The compensator shown is only an example.

Figure 1 — Fixing on a plate

Bestelformulier

NEN

Stuur naar:

NEN Standards Products & Services
t.a.v. afdeling Klantenservice
Antwoordnummer 10214
2600 WB Delft

NEN Standards Products & Services

Postbus 5059
2600 GB Delft

Vlinderweg 6
2623 AX Delft

T (015) 2 690 390
F (015) 2 690 271

www.nen.nl/normshop

Ja, ik bestel

___ ex. ISO 5669:1982 en Agricultural trailers and trailed equipment - Braking cylinders - Specifications € 31.57

Wilt u deze norm in PDF-formaat? Deze bestelt u eenvoudig via www.nen.nl/normshop

Gratis e-mailnieuwsbrieven

Wilt u op de hoogte blijven van de laatste ontwikkelingen op het gebied van normen, normalisatie en regelgeving? Neem dan een gratis abonnement op een van onze e-mailnieuwsbrieven. www.nen.nl/nieuwsbrieven

Retourneren

Fax: (015) 2 690 271
E-mail: klantenservice@nen.nl
Post: NEN Standards Products & Services,
t.a.v. afdeling Klantenservice
Antwoordnummer 10214,
2600 WB Delft
(geen postzegel nodig).

Gegevens

Bedrijf / Instelling _____

T.a.v. _____ O M O V

E-mail _____

Klantnummer NEN _____

Uw ordernummer _____ BTW nummer _____

Postbus / Adres _____

Postcode _____ Plaats _____

Telefoon _____ Fax _____

Factuuradres (indien dit afwijkt van bovenstaand adres)

Postbus / Adres _____

Postcode _____ Plaats _____

Datum _____ Handtekening _____

Voorwaarden

- De prijzen zijn geldig tot 31 december 2016, tenzij anders aangegeven.
- Alle prijzen zijn excl. btw, verzend- en handelingskosten en onder voorbehoud bij o.m. ISO- en IEC-normen.
- Bestelt u via de normshop een pdf, dan betaalt u geen handeling en verzendkosten.
- Meer informatie: telefoon (015) 2 690 391, dagelijks van 8.30 tot 17.00 uur.
- Wijzigingen en typfouten in teksten en prijsinformatie voorbehouden.
- U kunt onze algemene voorwaarden terugvinden op: www.nen.nl/leveringsvoorwaarden.