

# INTERNATIONAL STANDARD

**ISO**  
**8116-9**

First edition  
1991-11-01

---

---

## Textile machinery and accessories — Beams for winding —

### Part 9: Dyeing beams for textile fabrics

*Matériel pour l'industrie textile — Ensembles pour enroulement —  
Partie 9: Ensembles de teinture pour étoffes*



Reference number  
ISO 8116-9:1991(E)

## Foreword

ISO (the International Organization for Standardization) is a worldwide federation of national standards bodies (ISO member bodies). The work of preparing International Standards is normally carried out through ISO technical committees. Each member body interested in a subject for which a technical committee has been established has the right to be represented on that committee. International organizations, governmental and non-governmental, in liaison with ISO, also take part in the work. ISO collaborates closely with the International Electrotechnical Commission (IEC) on all matters of electrotechnical standardization.

Draft International Standards adopted by the technical committees are circulated to the member bodies for voting. Publication as an International Standard requires approval by at least 75% of the member bodies casting a vote.

International Standard ISO 8116-9 was prepared by Technical Committee ISO/TC 72, *Textile machinery and allied machinery and accessories*, Sub-Committee SC 4, *Dyeing, finishing and allied machinery and accessories*.

ISO 8116 consists of the following parts under the general title *Textile machinery and accessories — Beams for winding*:

- Part 1: *Vocabulary*
- Part 2: *Warper's beams — Terminology and main dimensions*
- Part 3: *Weaver's beams — Terminology and main dimensions*
- Part 4: *Quality classification of flanges for weaver's beams, warper's beams and sectional beams*
- Part 5: *Sectional beams for warp knitting machines — Terminology and main dimensions*
- Part 6: *Beams for ribbon weaving and ribbon knitting — Terminology and main dimensions*
- Part 9: *Dyeing beams for textile fabrics*

© ISO 1991

All rights reserved. No part of this publication may be reproduced or utilized in any form or by any means, electronic or mechanical, including photocopying and microfilm, without permission in writing from the publisher.

International Organization for Standardization  
Case Postale 56 • CH-1211 Genève 20 • Switzerland

Printed in Switzerland

# Textile machinery and accessories — Beams for winding —

## Part 9: Dyeing beams for textile fabrics

### 1 Scope

This part of ISO 8116 specifies the terminology, principal dimensions and designation of dyeing beams for textile fabrics.

### 2 Normative reference

The following standard contains provisions which, through reference in this text, constitute provisions of this part of ISO 8116. At the time of publication, the edition indicated was valid. All standards are subject to revision, and parties to agreements based on this part of ISO 8116 are encouraged to investigate the possibility of applying the most recent edition of the standard indicated below. Members of IEC and ISO maintain registers of currently valid International Standards.

ISO 1505:1982, *Textile machinery and allied machinery and accessories — Dyeing and finishing equipment — Working widths and nominal widths.*

### 3 Types of beams

The following types of beams are covered by this part of ISO 8116:

- a) type A — beam without driving hole (see figure 1);
- b) type B — beam with driving hole (see figure 2).

### 4 Terminology and principal dimensions (see figures 1 and 2 and table 1)

- $a$  = fabric width
- $b$  = nominal width
- $c$  = width of the perforated zone
- $d_1$  = overall diameter
- $d_2$  = fitting diameter
- $e$  = radius of pitch circle of driving holes

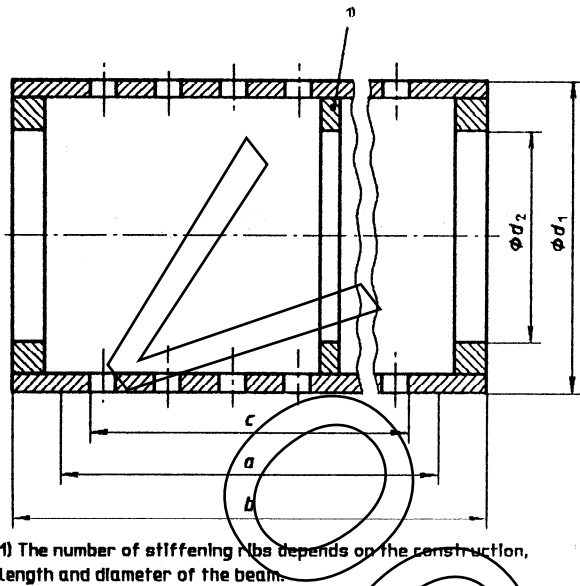


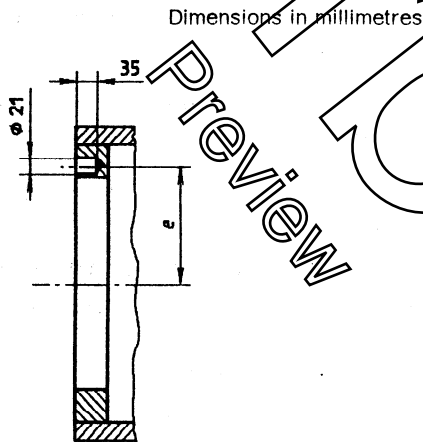
Figure 1 — Type A

Table 1 — Principal dimensions

Values in millimetres

$d_1$	$b$	$a^{1)}$	$c$	$d_2$	$e$
400	In accordance with ISO 1505	$b - 200$ or $b - 300$	$a - 100$	200	150
500				400	225
600					
700					
800					
900					
1 000					
1 100					
1 200					

1) The fabric width depends on the space requirement of the batching device.



NOTES

- 1 Driving holes are recommended on both sides of the beam.
- 2 Dimensions not shown are identical with those on figure 1.

Figure 2 — Type B

5 Designation

The designation of a dyeing beam for textile fabrics in accordance with this part of ISO 8116 shall include the following information in the order given:

- a) "Dyeing beam";
- b) reference to this part of ISO 8116 (i.e. ISO 8116-9);
- c) the type of beam (A or B);
- d) the overall diameter,  $d_1$ , in millimetres;
- e) the nominal width,  $b$ , in millimetres.

EXAMPLE

A dyeing beam for textile fabrics, type A, of overall diameter  $d_1 = 600$  mm and nominal width  $b = 2\ 000$  mm is designated as follows:

**Dyeing beam ISO 8116-9 A-600 × 2000**

# Bestelformulier

## Stuur naar:

NEN Standards Products & Services  
t.a.v. afdeling Klantenservice  
Antwoordnummer 10214  
2600 WB Delft



**NEN** Standards Products & Services

Postbus 5059  
2600 GB Delft

Vlinderweg 6  
2623 AX Delft

T (015) 2 690 390  
F (015) 2 690 271

[www.nen.nl/normshop](http://www.nen.nl/normshop)

## Ja, ik bestel

\_\_ ex. ISO 8116-9:1991 en Textile machinery and accessories - Beams for winding - Part 9: Dyeing beams for textile fabrics € 31.57

**Wilt u deze norm in PDF-formaat? Deze bestelt u eenvoudig via [www.nen.nl/normshop](http://www.nen.nl/normshop)**

### Gratis e-mailnieuwsbrieven

Wilt u op de hoogte blijven van de laatste ontwikkelingen op het gebied van normen, normalisatie en regelgeving? Neem dan een gratis abonnement op een van onze e-mailnieuwsbrieven. [www.nen.nl/nieuwsbrieven](http://www.nen.nl/nieuwsbrieven)

## Gegevens

Bedrijf / Instelling

T.a.v.  O M O V

E-mail

Klantnummer NEN

Uw ordernummer  BTW nummer

Postbus / Adres

Postcode  Plaats

Telefoon  Fax

**Factuuradres** (indien dit afwijkt van bovenstaand adres)

Postbus / Adres

Postcode  Plaats

Datum  Handtekening

### Retourneren

Fax: 015 2 690 271

E-mail: [klantenservice@nen.nl](mailto:klantenservice@nen.nl)

Post: NEN Standards Products & Services,

t.a.v. afdeling Klantenservice  
Antwoordnummer 10214,  
2600 WB Delft

(geen postzegel nodig).

### Voorwaarden

- De prijzen zijn geldig tot 31 december 2018, tenzij anders aangegeven.
- Alle prijzen zijn excl. btw, verzend- en handelingskosten en onder voorbehoud bij o.m. ISO- en IEC-normen.
- Bestelt u via de normshop een pdf, dan betaalt u geen handeling en verzendkosten.
- Meer informatie: telefoon 015 2 690 391, dagelijks van 8.30 tot 17.00 uur.
- Wijzigingen en typfouten in teksten en prijsinformatie voorbehouden.
- U kunt onze algemene voorwaarden terugvinden op: [www.nen.nl/leveringsvoorwaarden](http://www.nen.nl/leveringsvoorwaarden).