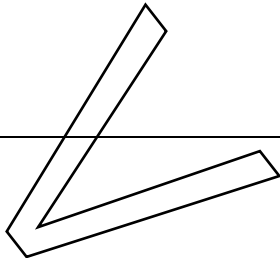


Footwear - Test methods for heels -
Resistance to lateral impact
(ISO 19953:2004, IDT)

augustus 2004
ICS 61.060

Vervangt NEN-EN-ISO 19953:2002 Ontw.



Als Nederlandse norm is aanvaard:
- EN ISO 19953:2004, IDT
- ISO 19953:2004, IDT

Normcommissie 330 064 "Schoenen"

Copyright
Preview

Apart from exceptions provided by the law, nothing from this publication may be duplicated and/or published by means of photocopy, microfilm, storage in computer files or otherwise, which also applies to full or partial processing, without the written consent of the Netherlands Standardization Institute.

The Netherlands Standardization Institute shall, with the exclusion of any other beneficiary, collect payments owed by third parties for duplication and/or act in and out of law, where this authority is not transferred or falls by right to the Reproduction Rights Foundation.

Auteursrecht voorbehouden. Behoudens uitzondering door de wet gesteld mag zonder schriftelijke toestemming van het Nederlands Normalisatie-instituut niets uit deze uitgave worden veelevoudigd en/of openbaar gemaakt door middel van fotokopie, microfilm, opslag in computerbestanden of anderszins, hetgeen ook van toepassing is op gehele of gedeeltelijke bewerking.

Het Nederlands Normalisatie-instituut is met uitsluiting van ieder ander gerechtigd de door derden verschuldigde vergoedingen voor veelevoudiging te innen en/of daartoe in en buiten rechte op te treden, voor zover deze bevoegdheid niet is overgedragen c.q. rechs toekomt aan de Stichting Reprorecht.

Although the utmost care has been taken with this publication, errors and omissions cannot be entirely excluded. The Netherlands Standardization Institute and/or the members of the committees therefore accept no liability, not even for direct or indirect damage, occurring due to or in relation with the application of publications issued by the Netherlands Standardization Institute.

Hoewel bij deze uitgave de uiterste zorg is nagestreefd, kunnen fouten en onvolledigheden niet geheel worden uitgesloten. Het Nederlands Normalisatie-instituut en/of de leden van de commissies aanvaarden derhalve geen enkele aansprakelijkheid, ook niet voor directe of indirecte schade, ontstaan door of verband houdend met toepassing van door het Nederlands Normalisatie-instituut gepubliceerde uitgaven.

ICS 61.060



English version

**Footwear - Test methods for heels - Resistance to lateral impact
(ISO 19953:2004)**Chaussures - Méthodes d'essai relatives aux talons -
Résistance aux chocs latéraux (ISO 19953:2004)Schuhe - Prüfverfahren für Absätze - Widerstand gegen
seitlichen Schlag (ISO 19953:2004)

This European Standard was approved by CEN on 10 December 2003.

CEN members are bound to comply with the CEN/CENELEC Internal Regulations which stipulate the conditions for giving this European Standard the status of a national standard without any alteration. Up-to-date lists and bibliographical references concerning such national standards may be obtained on application to the Central Secretariat or to any CEN member.

This European Standard exists in three official versions (English, French, German). A version in any other language made by translation under the responsibility of a CEN member into its own language and notified to the Central Secretariat has the same status as the official versions.

CEN members are the national standards bodies of Austria, Belgium, Cyprus, Czech Republic, Denmark, Estonia, Finland, France, Germany, Greece, Hungary, Iceland, Ireland, Italy, Latvia, Lithuania, Luxembourg, Malta, Netherlands, Norway, Poland, Portugal, Slovakia, Slovenia, Spain, Sweden, Switzerland and United Kingdom.

EUROPEAN COMMITTEE FOR STANDARDIZATION
COMITÉ EUROPÉEN DE NORMALISATION
EUROPÄISCHES KOMITEE FÜR NORMUNG**Management Centre: rue de Stassart, 36 B-1050 Brussels**

Foreword

This document (EN ISO 19953:2004) has been prepared by Technical Committee CEN /TC 309, "Footwear", the secretariat of which is held by AENOR, in collaboration with ISO/TC 216 "Footwear".

This European Standard shall be given the status of a national standard, either by publication of an identical text or by endorsement, at the latest by January 2005, and conflicting national standards shall be withdrawn at the latest by January 2005.

According to the CEN/CENELEC Internal Regulations, the national standards organizations of the following countries are bound to implement this European Standard: Austria, Belgium, Cyprus, Czech Republic, Denmark, Estonia, Finland, France, Germany, Greece, Hungary, Iceland, Ireland, Italy, Latvia, Lithuania, Luxembourg, Malta, Netherlands, Norway, Poland, Portugal, Slovakia, Slovenia, Spain, Sweden, Switzerland and United Kingdom.

Copyright
Preview

1 Scope

This European Standard specifies a test method for determining the impact strength of the heels of ladies' shoes. The result provides an assessment of the liability to failure under the occasional heavy blows received during wear.

NOTE While the test method is applicable to all types of high heels, of whatever construction, it is particularly useful for injection-moulded plastic heels which incorporate a steel dowel reinforcement, giving information on the suitability of the dowels' hardness or softness. Normally, heels which by virtue of their shape have a high lateral impact resistance do not need to be tested in this way.

2 Apparatus and material

2.1 General

The following apparatus and material shall be used.

2.2 Lateral impact tester

2.2.1 General

An example of a suitable apparatus is being shown in Figure 1. The apparatus is clamped either onto a solid built-in bench, or onto a rigid free-standing frame anchored to the floor.

The lateral impact tester shall include the following.

2.2.2 Pendulum, consisting of a circular steel bob of diameter (108 ± 1) mm and thickness (49 ± 2) mm, which is fixed by a circular steel shaft of diameter $(25 \pm 0,5)$ mm to a hub, on the bearing axle of diameter (75 ± 1) mm. The distance from the centre of the bob to the centre of the hub is (432 ± 2) mm. The moment of the pendulum when it is held horizontally is $(17,3 \pm 0,2)$ N-m.

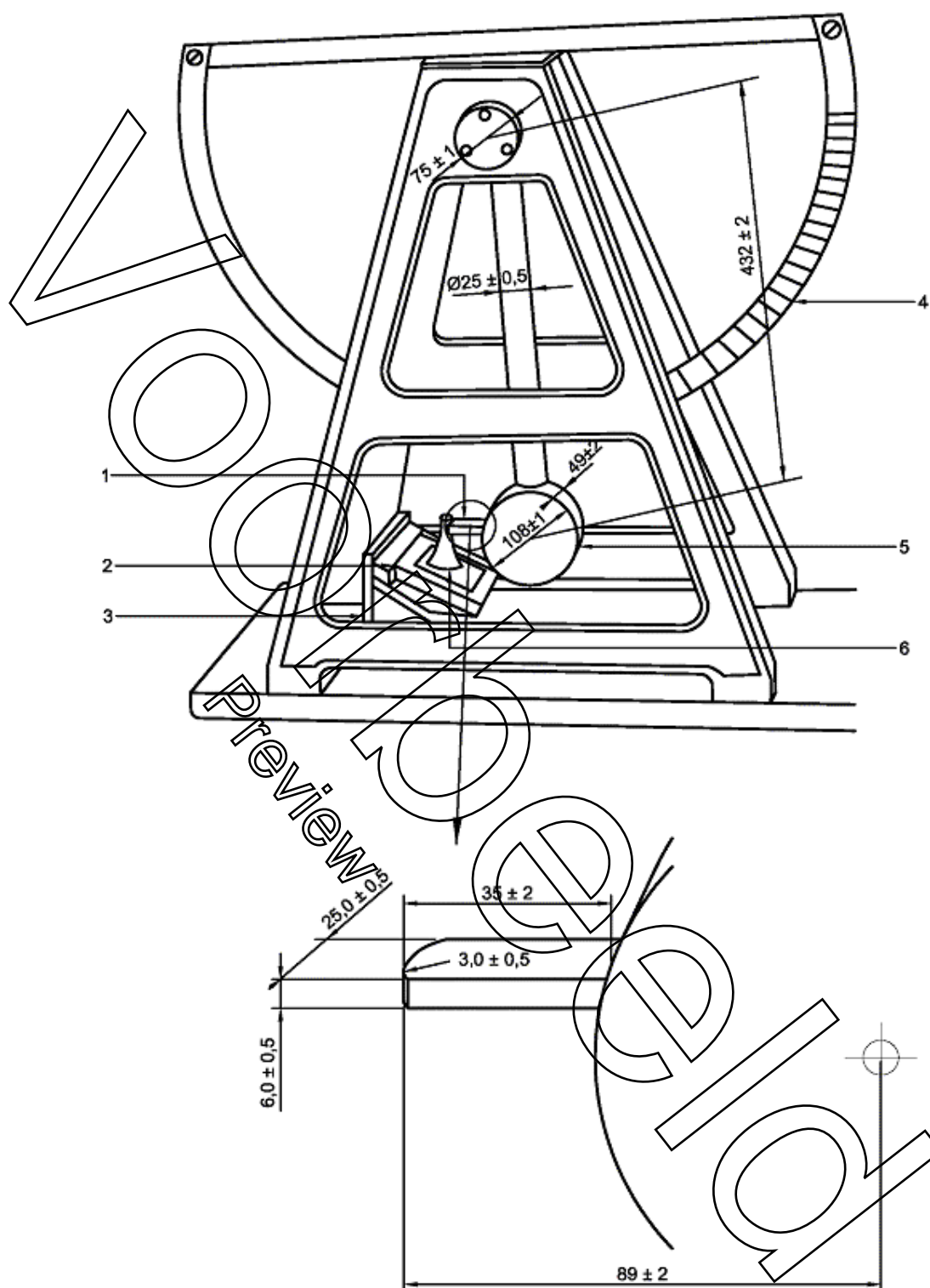
2.2.3 Striker head, consisting of a strip of metal $(6,0 \pm 0,5)$ mm thick, $(25,0 \pm 0,5)$ mm wide and (35 ± 2) mm long with the striking edge rounded to a radius of $(3,0 \pm 0,5)$ mm. The head is fixed rigidly to the pendulum bob so that the striker tip and centre of the bob lie on the same circle of swing of the pendulum and are (89 ± 2) mm apart.

2.2.4 Energy scale for the pendulum, calibrated in increment of 0,68 J, from 0 J to 18,3 J. A marker attached to the pendulum moves over this scale and enables the pendulum to be set up to the desired energy of blow.

2.2.5 Base clamp, for holding the metal mounting tray (3.2) and for adjusting it vertically and horizontally to achieve correct alignment of the heel tip.

NOTE If the apparatus is not firmly mounted there is partial loss of energy on impact, thereby producing false results.

Dimensions in millimetres

**Key**

- | | | | |
|---|--------------|---|---------------|
| 1 | Striker head | 4 | Energy scale |
| 2 | Heel tray | 5 | Pendulum |
| 3 | Base clamp | 6 | Test specimen |

Figure 1 — Lateral impact tester

2.3 Metal mounting trays

An example of a suitable apparatus is shown in Figure 2. Each to contain a heel set in metal alloy of melting point between 100° C and 150° C.

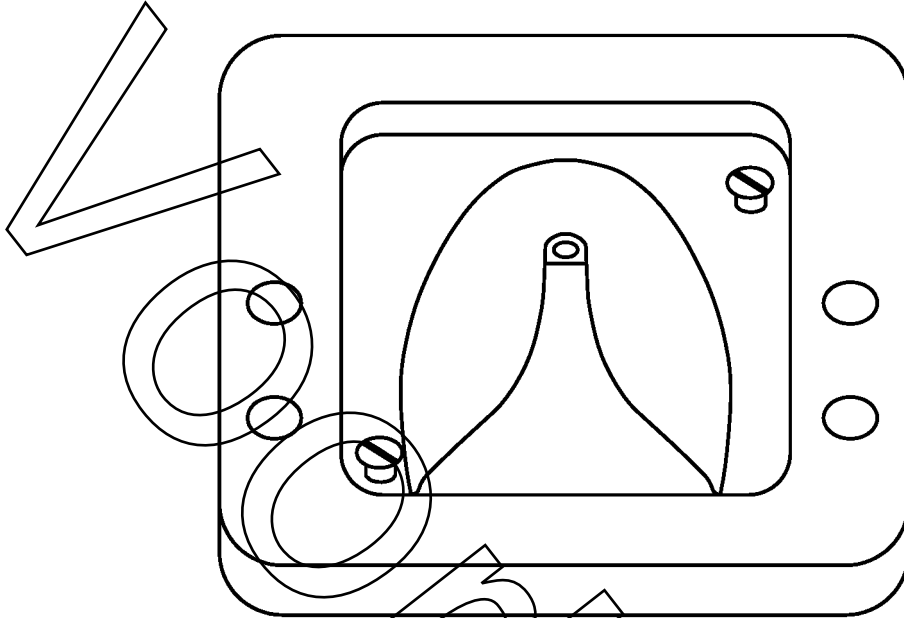


Figure 2 — Metal mounting tray with heel in position before addition of molten alloy

2.4 Metal alloy

Melting point between 100° C and 150° C

3 Sampling and conditioning

3.1 Take free heels and set each heel in a dry metal mounting tray (3.2), using the procedure described in 3.2 or, for very short heel (usually those below 40 mm in height), the procedure described in 3.3, to obtain a test specimen assembly.

3.2 Place the heel centrally in the tray so that the seat breast edge is against a flat end of the tray and the heel tip points upwards (see Figure 2). Heat the metal alloy (3.3) until it is at the lowest temperature at which it will flow into all parts of the tray, filling the space around the heel to within 3 mm from the top. Allow the alloy to cool and set thereby providing a rigid mounting for the heel.

3.3 Since some very short heels cannot be struck correctly by the striker if mounted in accordance with 4.2 (because the bottom of the pendulum catches the base clump assembly), a different method of mounting is necessary. In such cases mount the heel with the rear of the heel seat against a flat end of the tray. Cut a small amount from the rear of the heel so as to set the heel further towards the rear of the mounting tray if this allows the striker to strike the heel correctly.

4 Test method

4.1 Principle

A heel, clamped with the tip uppermost and the stem approximately vertical, is subjected repeatedly to measured blows from a pendulum striker, the energy of the blows increasing successively until the heel fails.

4.2 Procedure

4.2.1 Position the test specimen assembly in the lateral impact tester (2.2) sliding the assembly up the inclined plane of the base clamp (2.1.5) as far as possible and locking into position with the back of the heel facing the pendulum. Set the test specimen assembly at a suitable angle to the horizontal so that the blow will be applied at right angles to the heel stem. Adjust the clamp so that the heel just contacts the striker when the pendulum is vertical, with the tip of the heel 6 mm above the striker tip.

4.2.2 Lift the pendulum to the 0,68 J position and release, so that the striker (2.1.3) falls against the heel stem. Catch the pendulum on its rebound to prevent a second blow. Repeat this procedure, increasing the impact energy at each blow by 0,68 J either until the heel stem breaks, until it bends and the pendulum jams, or until an impact energy of 18,3 J has been applied. Record total number of blows delivered.

4.2.3 Damage involving fracture or cracking of the heel at the point of impact of the striker is regarded as invalid in this test, since it is due to the effect of the striker acting as a chisel rather than fracture of the heel due to impact of the heel as in wear. If such damage occurs, report it together with this explanation.

4.2.4 Repeat the test with the other two test specimen assemblies by following the same procedure.

5 Expression of results

Express the result for each test specimen assembly as follows:

- a) the number of blows to failure (or that no failure occurred after 27 blows) and the energy, in J, of the last blow;
- b) the type of failure, as described in 4.2.2, or the fact that damage involving fracture or cracking of the heel at the point of the impact occurred, as described in 4.2.3.

6 Test report

The test report shall include the following information.

- a) result for each heel, expressed in accordance with clause 5;
- b) full description of the samples tested including commercial styles codes, colours, nature, etc.;
- c) reference to this method of test;
- d) date of testing;
- e) any deviation from this test method.

Bestelformulier

Stuur naar:

NEN Standards Products & Services
t.a.v. afdeling Klantenservice
Antwoordnummer 10214
2600 WB Delft



NEN Standards Products & Services

Postbus 5059
2600 GB Delft

Vlinderweg 6
2623 AX Delft

T (015) 2 690 390
F (015) 2 690 271

www.nen.nl/normshop

Ja, ik bestel

__ ex. NEN-EN-ISO 19953:2004 en Schoeisel - Beproevingmethoden voor hakken - Weerstand tegen laterale stootbelasting € 34.41

Wilt u deze norm in PDF-formaat? Deze bestelt u eenvoudig via www.nen.nl/normshop

Gratis e-mailnieuwsbrieven

Wilt u op de hoogte blijven van de laatste ontwikkelingen op het gebied van normen, normalisatie en regelgeving? Neem dan een gratis abonnement op een van onze e-mailnieuwsbrieven. www.nen.nl/nieuwsbrieven

Gegevens

Bedrijf / Instelling _____

T.a.v. _____ O M O V

E-mail _____

Klantnummer NEN _____

Uw ordernummer _____ BTW nummer _____

Postbus / Adres _____

Postcode _____ Plaats _____

Telefoon _____ Fax _____

Factuuradres (indien dit afwijkt van bovenstaand adres)

Postbus / Adres _____

Postcode _____ Plaats _____

Datum _____ Handtekening _____

Retourneren

Fax: 015 2 690 271

E-mail: klantenservice@nen.nl

Post: NEN Standards Products & Services,

t.a.v. afdeling Klantenservice
Antwoordnummer 10214,
2600 WB Delft

(geen postzegel nodig).

Voorwaarden

- De prijzen zijn geldig tot 31 december 2018, tenzij anders aangegeven.
- Alle prijzen zijn excl. btw, verzend- en handelingskosten en onder voorbehoud bij o.m. ISO- en IEC-normen.
- Bestelt u via de normshop een pdf, dan betaalt u geen handeling en verzendkosten.
- Meer informatie: telefoon 015 2 690 391, dagelijks van 8.30 tot 17.00 uur.
- Wijzigingen en typfouten in teksten en prijsinformatie voorbehouden.
- U kunt onze algemene voorwaarden terugvinden op: www.nen.nl/leveringsvoorwaarden.